

Reflection Stone

MASONRY UNITS



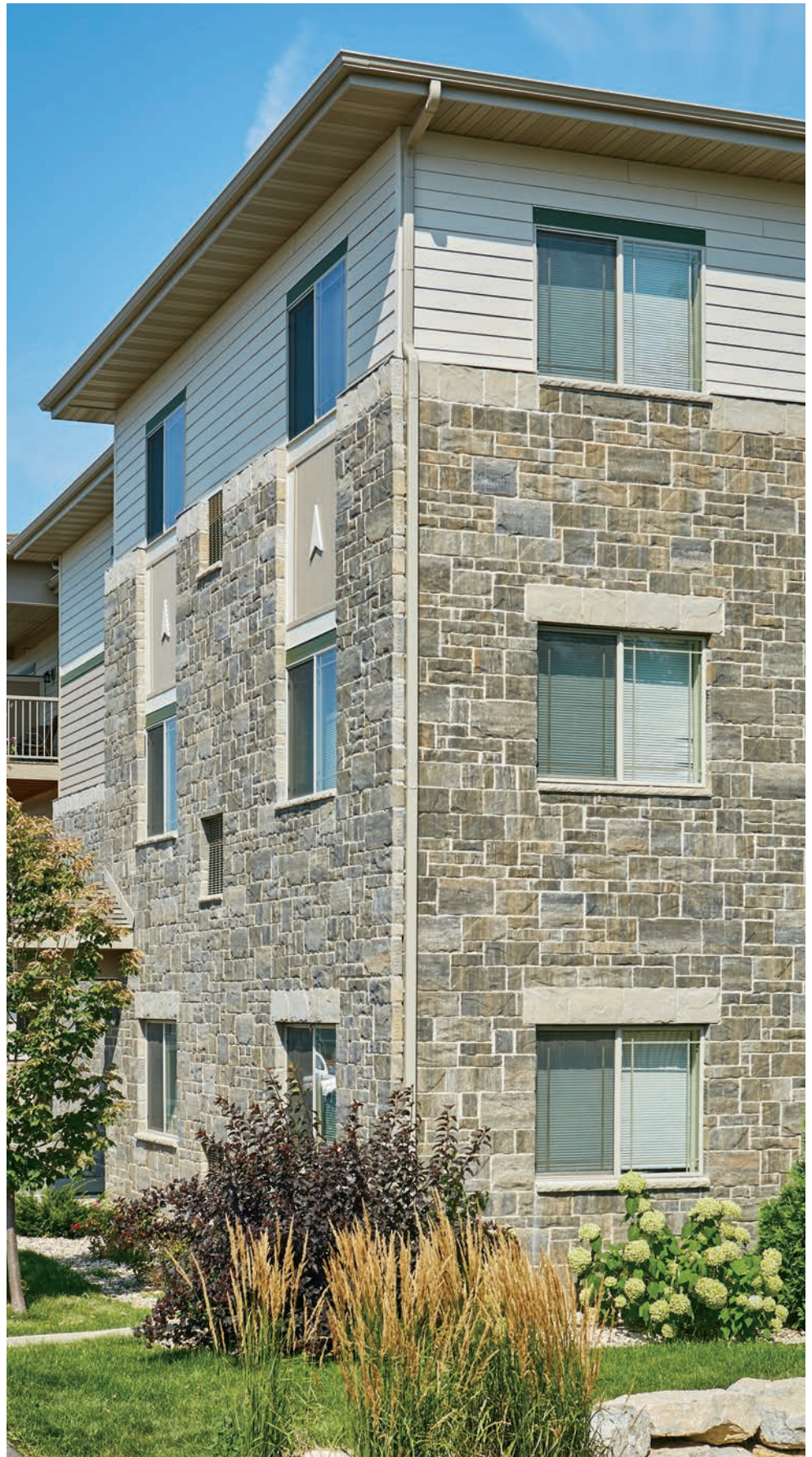
WHEAT (Custom Color) and VISION, Heritage Collection™ Designer Concrete Brick – 60% SAND CASTLE and 40% TUSCANY VILLA (Custom Blend, Utility Size)

COUNTY MATERIALS CORPORATION

Reflection Stone

MASONRY UNITS

Architects and designers across the country are specifying Reflection Stone Masonry Units to achieve a natural stone expression with the benefits of concrete masonry. Our manufacturing process and integral coloring system creates an impressive face texture and inherently strong masonry unit. The units' modular shape promotes ease of installation and makes them an ideal solution for limitless applications.



ENCHANTMENT

COUNTY MATERIALS CORPORATION

Colors, product data, and availability are subject to change without notice. Please confirm all details with a County Materials representative for availability in your area. Colors shown may vary from actual hues and should only be used as a guide. Refer to actual product samples for final color selection.

Color Options



Vision



Clarity



Enchantment



Slate

Rustic Color Options



Vision
Rustic



Clarity
Rustic



Enchantment
Rustic



Slate
Rustic

Note: Rustic colors are only available in Full Veneer units.



ENCHANTMENT

Reflection Stone® Masonry Units

SHAPES AND SIZES

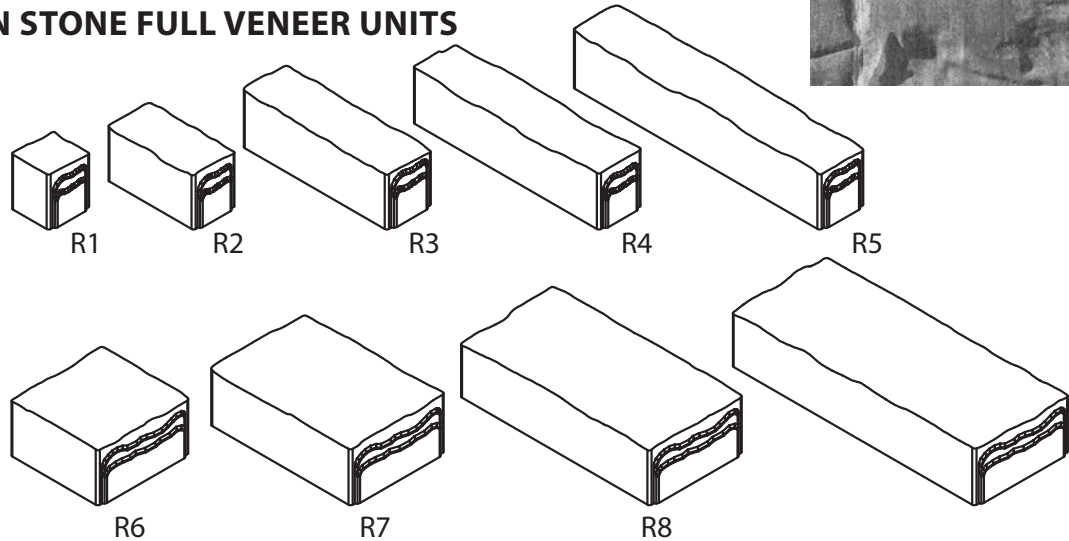


REFLECTION STONE® MASONRY UNITS

Reflection Stone mirrors the character and charm of natural stone, a timeless look that is still desired after centuries of use. Rich textures and alluring color blends impart an enchanting façade that affords the pure aesthetics of hand hewn stone.



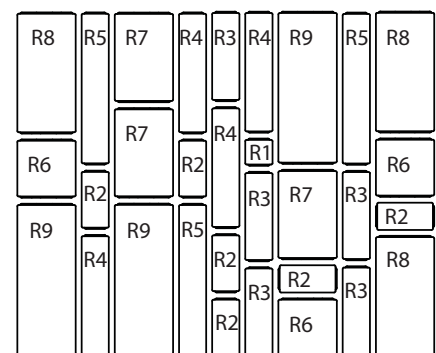
REFLECTION STONE FULL VENEER UNITS



Product	Size H x D x L (inches and mm)	Product	Size H x D x L (inches and mm)
Reflection Stone- R1	3 ¹ / ₄ x 3 ³ / ₄ x 3 ¹ / ₄ 83 x 95 x 83	Reflection Stone- R6	7 x 3 ³ / ₄ x 7 178 x 95 x 178
Reflection Stone- R2	3 ¹ / ₄ x 3 ³ / ₄ x 7 83 x 95 x 178	Reflection Stone- R7	7 x 3 ³ / ₄ x 10 ³ / ₄ 178 x 95 x 273
Reflection Stone- R3	3 ¹ / ₄ x 3 ³ / ₄ x 10 ³ / ₄ 83 x 95 x 273	Reflection Stone- R8	7 x 3 ³ / ₄ x 14 ¹ / ₂ 178 x 95 x 369
Reflection Stone- R4	3 ¹ / ₄ x 3 ³ / ₄ x 14 ¹ / ₂ 83 x 95 x 369	Reflection Stone- R9	7 x 3 ³ / ₄ x 18 ¹ / ₄ 178 x 95 x 464
Reflection Stone- R5	3 ¹ / ₄ x 3 ³ / ₄ x 18 ¹ / ₄ 83 x 95 x 464		

SF/ Layer	SF/ Pallet	Lbs./ Pallet
13.5	81	3280

Pallet Layer



All dimensions nominal.

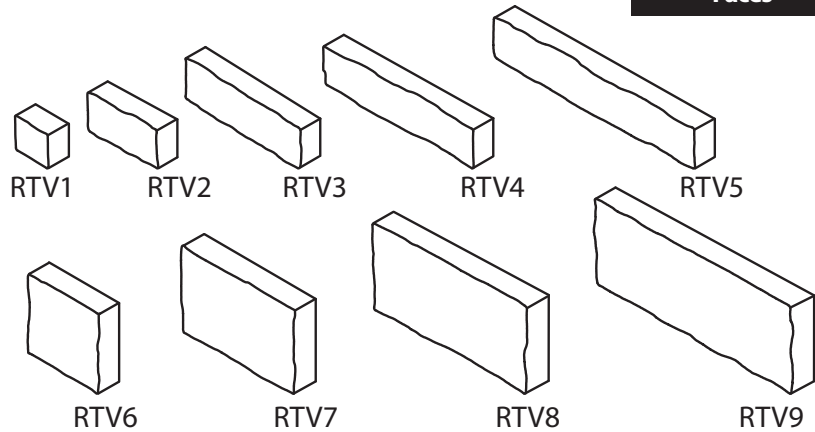
Reflection Stone® Masonry Units

SHAPES AND SIZES



REFLECTION STONE® THIN VENEERS – FIELD APPLIED

Product	Size H x D x L (inches and mm)
Reflection Stone Thin Veneer- RTV1	3 1/4 x 1 x 3 1/4 83 x 25 x 83
Reflection Stone Thin Veneer- RTV2	3 1/4 x 1 x 7 83 x 25 x 178
Reflection Stone Thin Veneer- RTV3	3 1/4 x 1 x 10 3/4 83 x 25 x 273
Reflection Stone Thin Veneer- RTV4	3 1/4 x 1 x 14 1/2 83 x 25 x 369
Reflection Stone Thin Veneer- RTV5	3 1/4 x 1 x 18 1/4 83 x 25 x 464
Reflection Stone Thin Veneer- RTV6	7 x 1 x 7 178 x 25 x 178
Reflection Stone Thin Veneer- RTV7	7 x 1 x 10 3/4 178 x 25 x 273
Reflection Stone Thin Veneer- RTV8	7 x 1 x 14 1/2 178 x 25 x 369
Reflection Stone Thin Veneer- RTV9	7 x 1 x 18 1/4 178 x 25 x 464

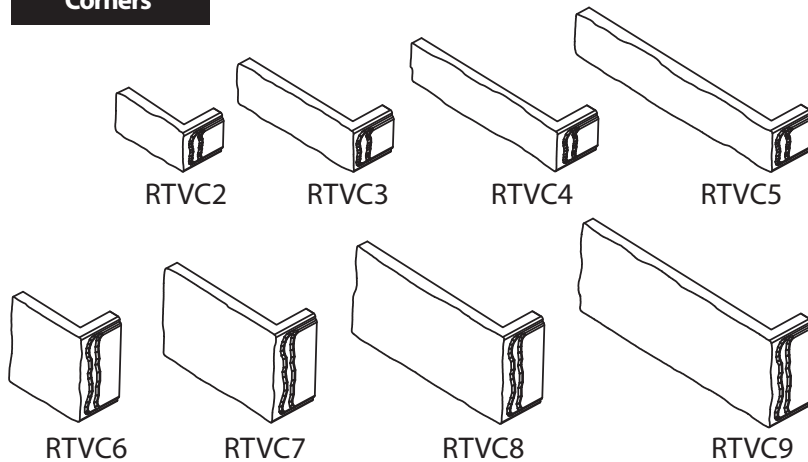


Faces

SF/ Layer	Layers/ Pallet	SF/ Pallet	Lbs./ Pallet
13.5	10	135	1474

* Reflection Stone GRAND thin veneer thickness will range from 3/4" to 1 1/4".

Corners



Product	Size H x D x L (inches and mm)
Reflection Stone Thin Veneer Corner- RTVC2	3 1/4 x 1 x 7 83 x 25 x 178
Reflection Stone Thin Veneer Corner- RTVC3	3 1/4 x 1 x 10 3/4 83 x 25 x 273
Reflection Stone Thin Veneer Corner- RTVC4	3 1/4 x 1 x 14 1/2 83 x 25 x 369
Reflection Stone Thin Veneer Corner- RTVC5	3 1/4 x 1 x 18 1/4 83 x 25 x 464
Reflection Stone Thin Veneer Corner- RTVC6	7 x 1 x 7 178 x 25 x 178
Reflection Stone Thin Veneer Corner- RTVC7	7 x 1 x 10 3/4 178 x 25 x 273
Reflection Stone Thin Veneer Corner- RTVC8	7 x 1 x 14 1/2 178 x 25 x 369
Reflection Stone Thin Veneer Corner- RTVC9	7 x 1 x 18 1/4 178 x 25 x 464

* Reflection Stone GRAND thin veneer thickness will range from 3/4" to 1 1/4".

**All Return Ends are 3 3/4" in depth.

LF/ Box	SF/ Box	Lbs./ Box
4.57	6.22	59

All dimensions nominal.

Thin veneer pieces are custom order.
Contact your County Materials' representative for details.

Reflection Stone

MASONRY UNITS

Durable, Long-Lasting Beauty

- Ideal for interior and exterior applications
- Minimal maintenance
- Resistant to weathering and wear
- Low moisture absorption
- Integrally colored units with modular shapes



ENCHANTMENT



CLARITY



(800) 242-7733
countymaterials.com
info@countymaterials.com

©2022 County Materials Corporation • 836349663_0522

COUNTY MATERIALS CORPORATION