

Light Pole and Signage Bases Data Sheet



Toll Free: (352) 275-4605 • countyprestress.com

Precast concrete light pole and signage bases are an efficient solution for a variety of lighting and signage fixtures.

Off-Site Production

County Prestress & Precast's Concrete Light Pole and Signage Bases are manufactured off-site and arrive ready to install, eliminating the need for on-site forming and curing. Precast structures provide efficient installation compared to alternative cast-in-place methods, which require more on-site labor, material delays, and good weather conditions.

Quality

Our concrete foundations are manufactured year-round in our NPCA-certified plants, and each product adheres to strict specifications and quality standards. Our plants provide a temperature-controlled environment, ensuring the same excellent results for every product. County Prestress & Precast's concrete mixes are optimized for strength and durability so that our products will serve our customers for years with no maintenance.

Meeting Project Needs

County Prestress & Precast produces light pole and signage bases to FDOT specification, providing many sizes to meet the design needs of each project. We offer the following elements:

- Single-Column Foundation
- Multi-Column Foundation
- Light Pole Foundation
- Commercial Light Pole Bases
- Rapid Flash Beacon Foundation
- Pedestrian Base Foundation

Advantages of Precast Concrete Light Pole Bases

- Fast and efficient installation
- All-weather installation
- Unmatched strength and lasting performance



Applications

Precast concrete bases can be used for light fixtures, flag poles, and signage for a variety of municipal and commercial applications.

- Local and County Streets
- U.S. Highways and Interstates
- Parking Lots
- Parks

Digital Resources



Light Pole Bases
Scan to Download Digital Resources



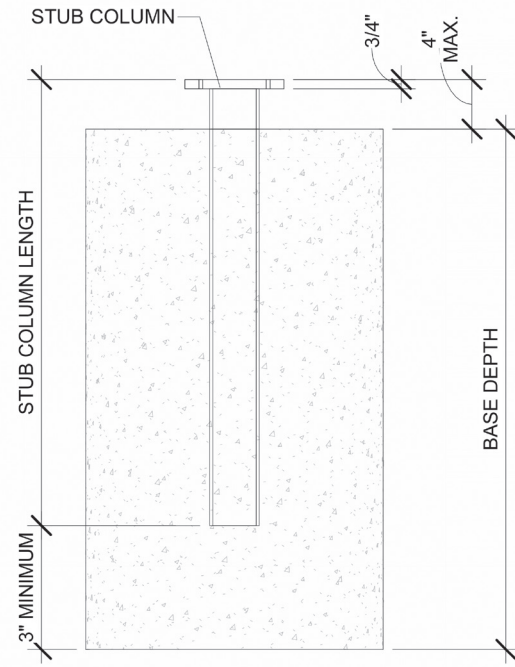
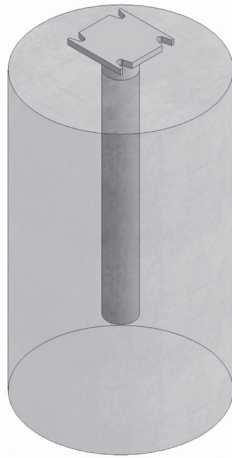
Sign Bases
Scan to Download Digital Resources



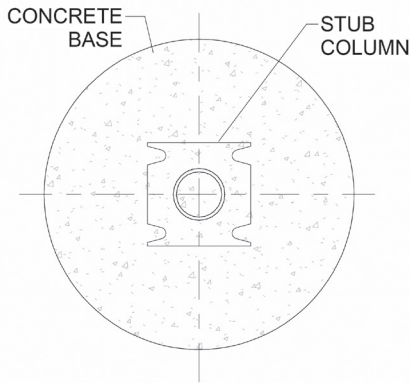
(Continued on page 2)

Single Column Foundation

700-010



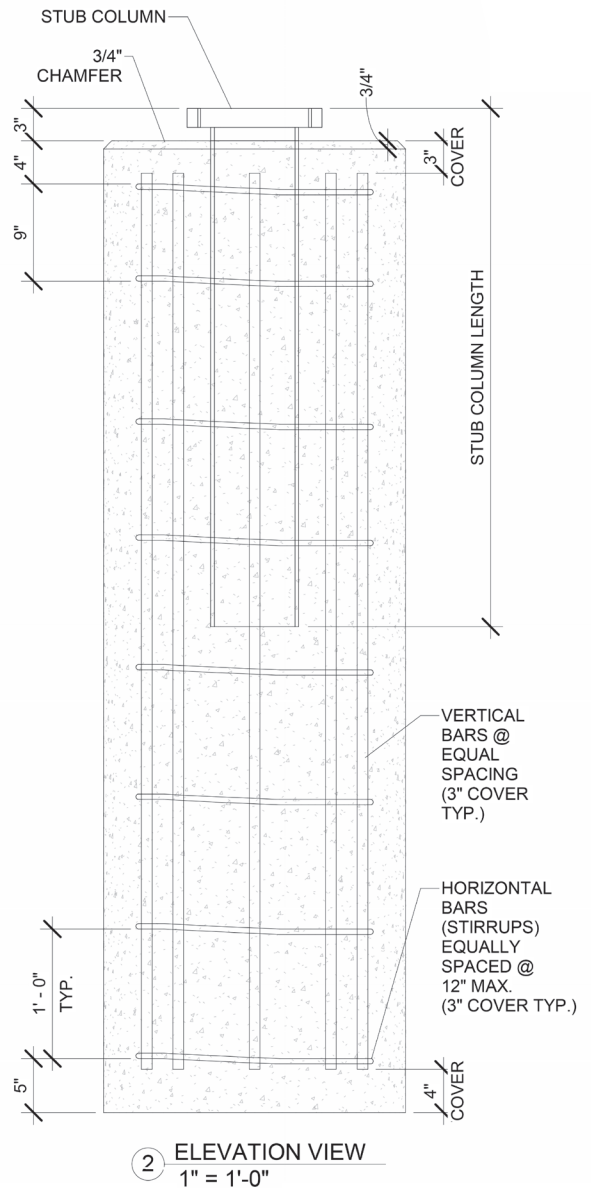
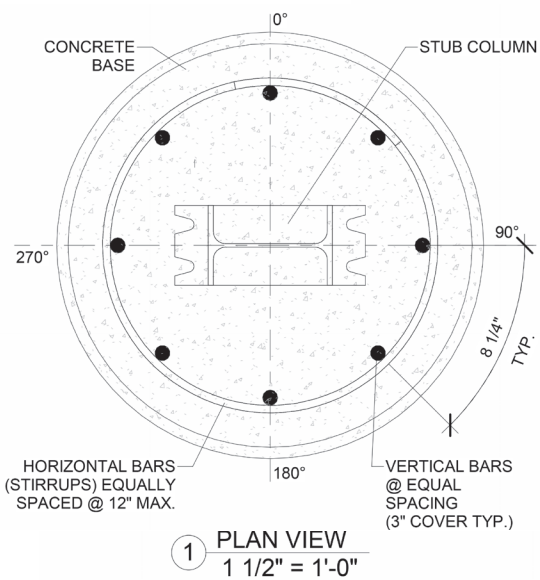
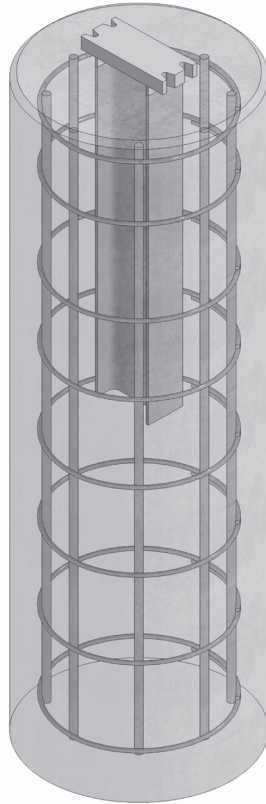
② ELEVATION VIEW
1" = 1'-0"



① PLAN VIEW
1" = 1'-0"

Multi Column Foundation

700-020



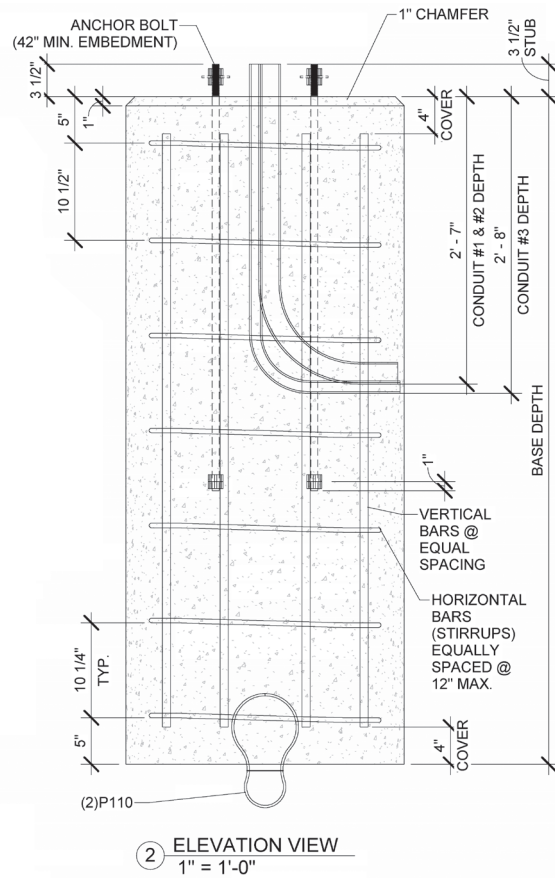
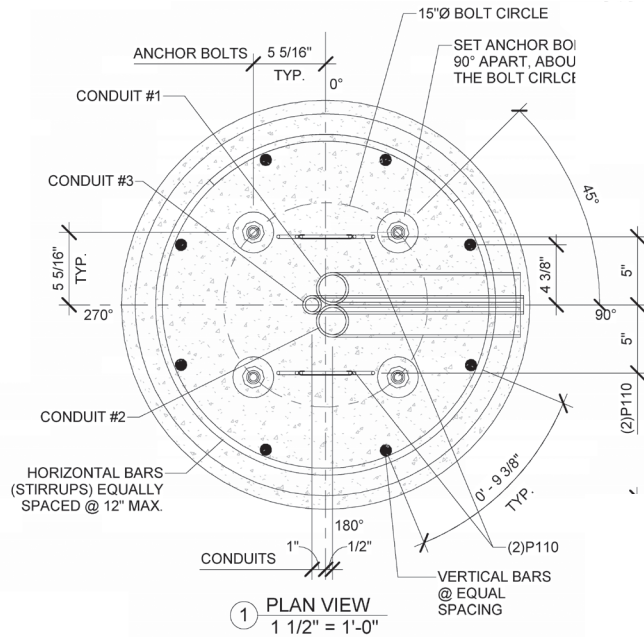
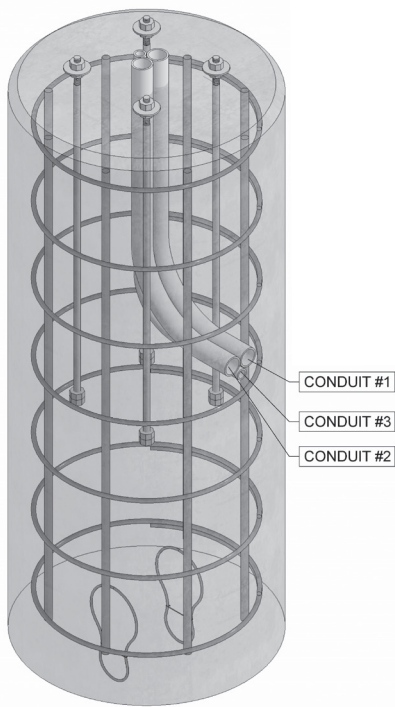
Light Pole and Signage Bases Data Sheet



Toll Free: (352) 275-4605 • countyprestress.com

Light Pole Foundation

715-002



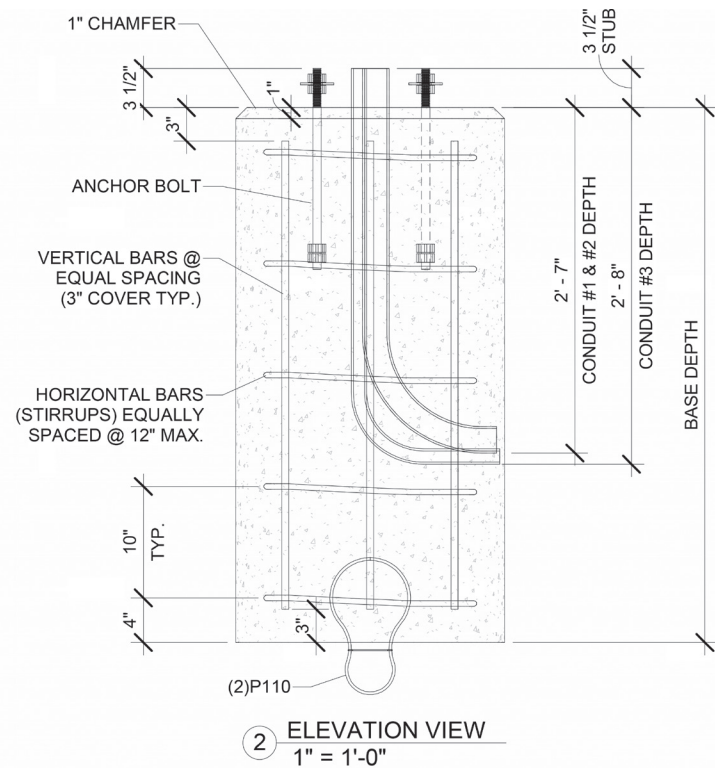
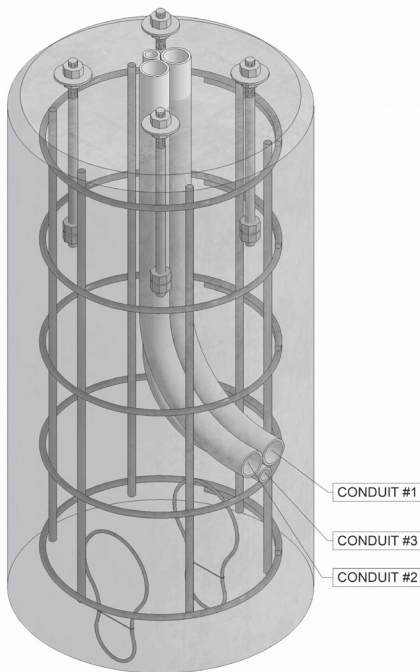
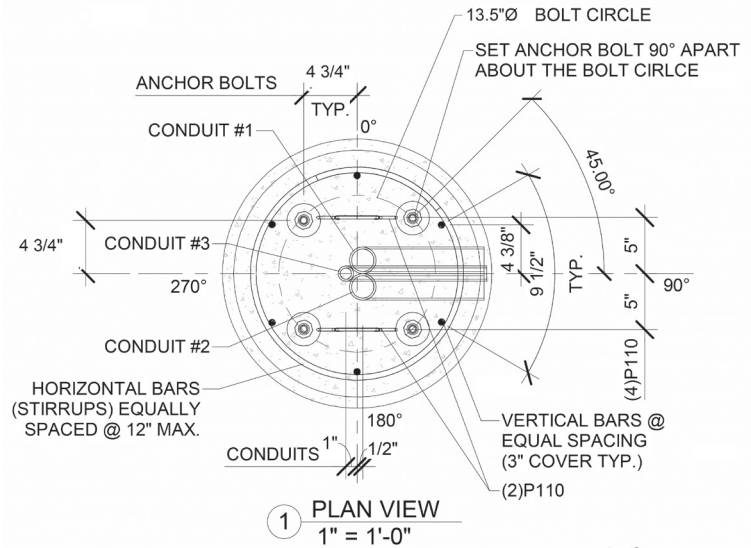
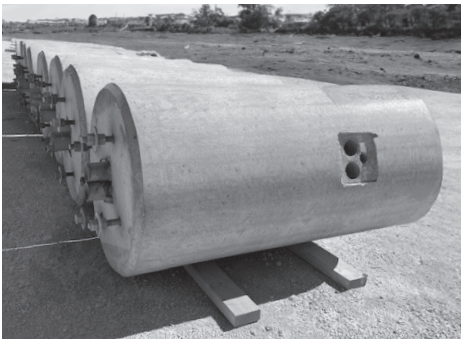
Light Pole and Signage Bases Data Sheet



Toll Free: (352) 275-4605 • countyprestress.com

Rapid Flash Beacon Foundation

654-001



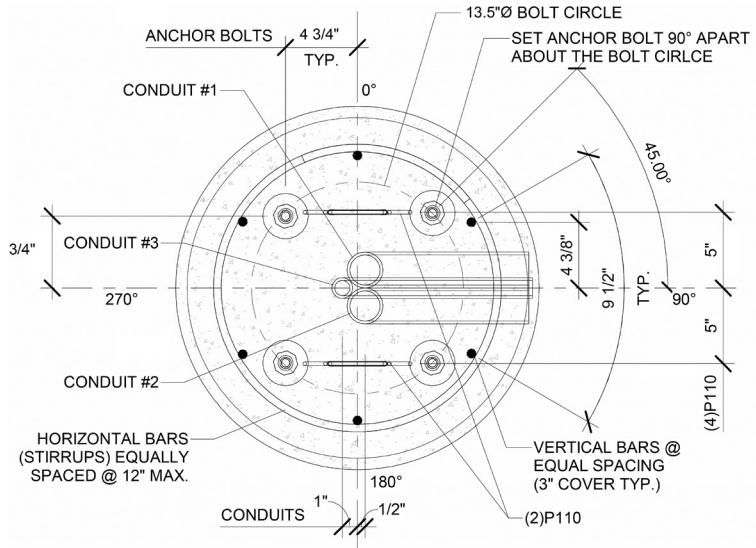
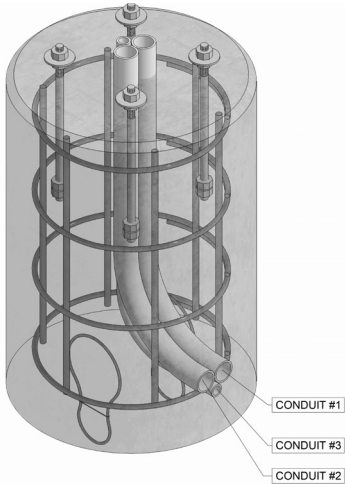
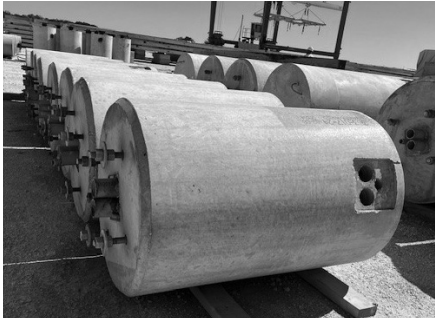
Light Pole and Signage Bases Data Sheet



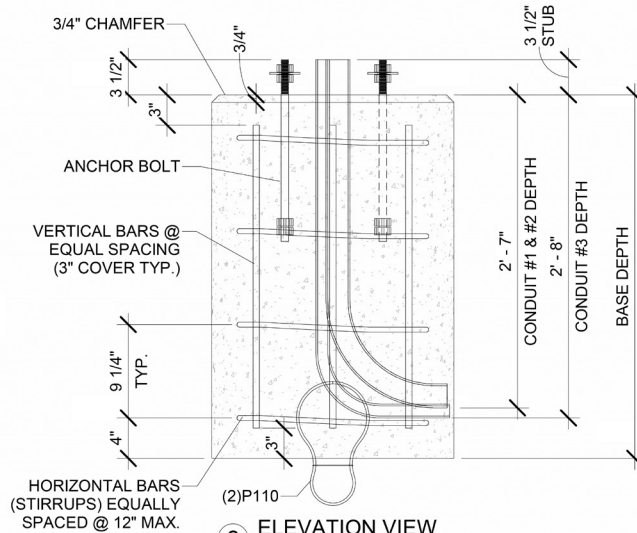
Toll Free: (352) 275-4605 • countyprestress.com

Pedestrian Base Foundation

646-001



1 PLAN VIEW
1 1/2" = 1'-0"



2 ELEVATION VIEW
1" = 1'-0"



We deliver concrete solutions for growing communities

County Prestress & Precast, LLC

13700 Virginia Avenue
Astatula, Florida
United States 34705

Phone: 353-343-8488
countyprestress.com