

Parking Stops



Toll Free: (800) 242-7733 • countyprestress.com

Enhance Parking Lot Safety

Manufactured in the USA by County Prestress & Precast

Stop rolling vehicles, prevent accidents, and encourage uniform parking with precast concrete parking stops. Parking stops can be painted to indicate regular, reserved, and handicap parking and to improve visibility and adherence to restricted parking areas. Precast concrete parking stops are ideal for industrial, commercial, and residential traffic control.

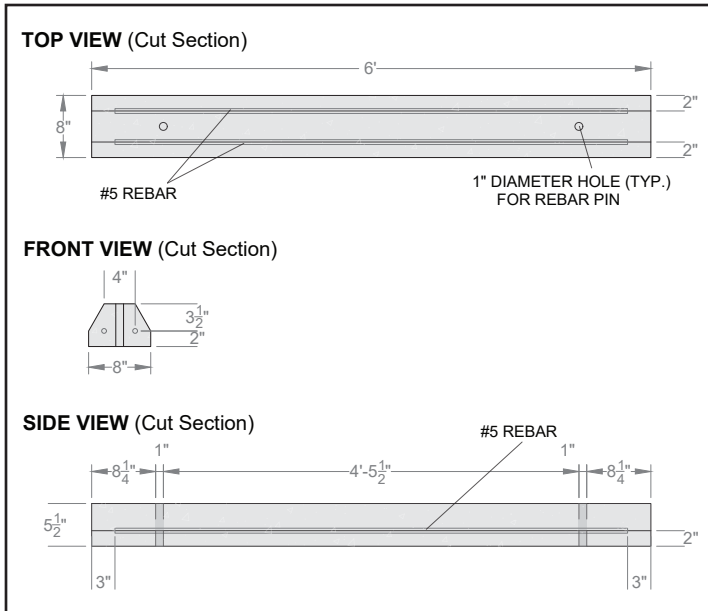
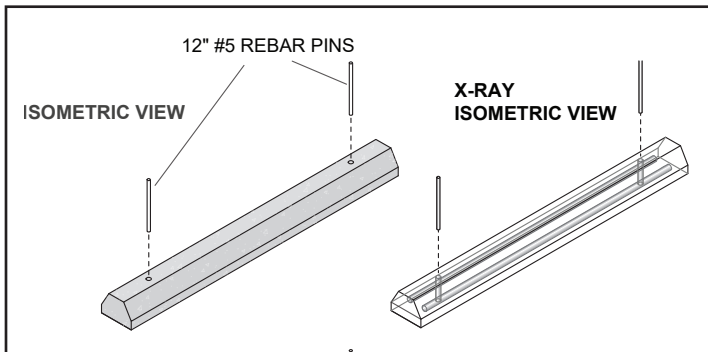
Product Specifications

- 6' long x 5" tall x 8" wide
- 6500 PSI
- Gray concrete color
- Chamfered edges resist damage from weather and impacts



Consider the Advantages

- Protect pedestrians, buildings, fences, and other structures from vehicular impact
- Strong, durable, and stable when secured into place
- Simple installation
- Suitable for parking garages and exposed parking lots
- Sustainable building material
- Long service life with minimal maintenance



Your Full-Service Partner

County Prestress & Precast is your source for reliable concrete construction solutions. Our long-lasting products are readily available and easy to install. We perform extensive quality testing to deliver satisfactory results. Rely on us to deliver precast parking stops to meet the toughest project schedules.



Scan to Download Digital Resources

