



County Prestress and Precast, LLC  
740 Pasquinelli Dr, Suite 100  
Westmont IL 60559  
[countyprestress.com](http://countyprestress.com)

---

# INSULATED WALL PANEL DETAILS

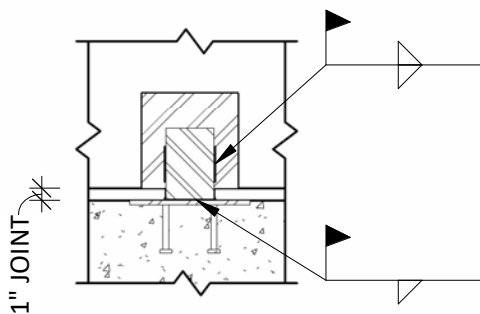
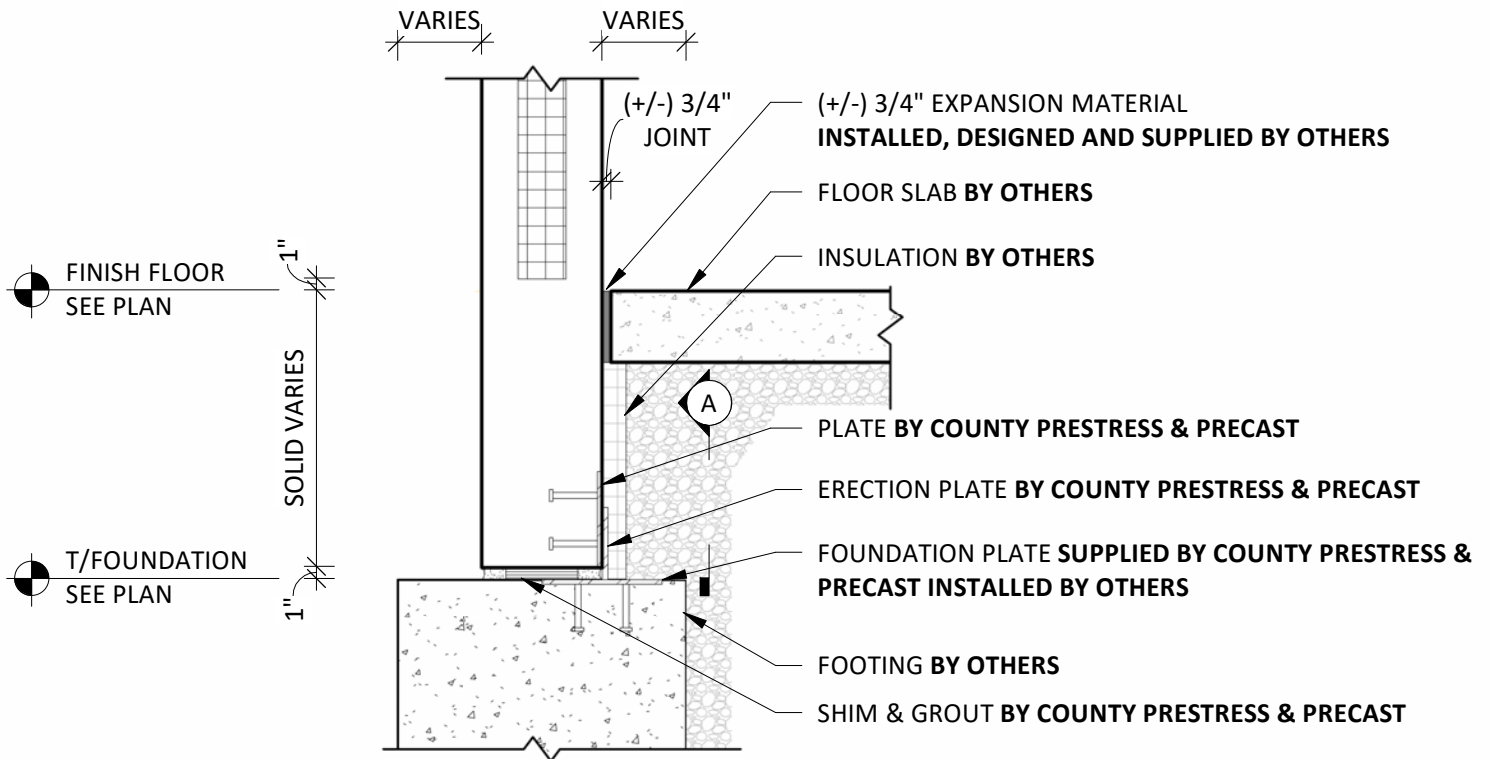


County Prestress and Precast, LLC  
740 Pasquinelli Dr, Suite 100  
Westmont IL 60559  
countyprestress.com

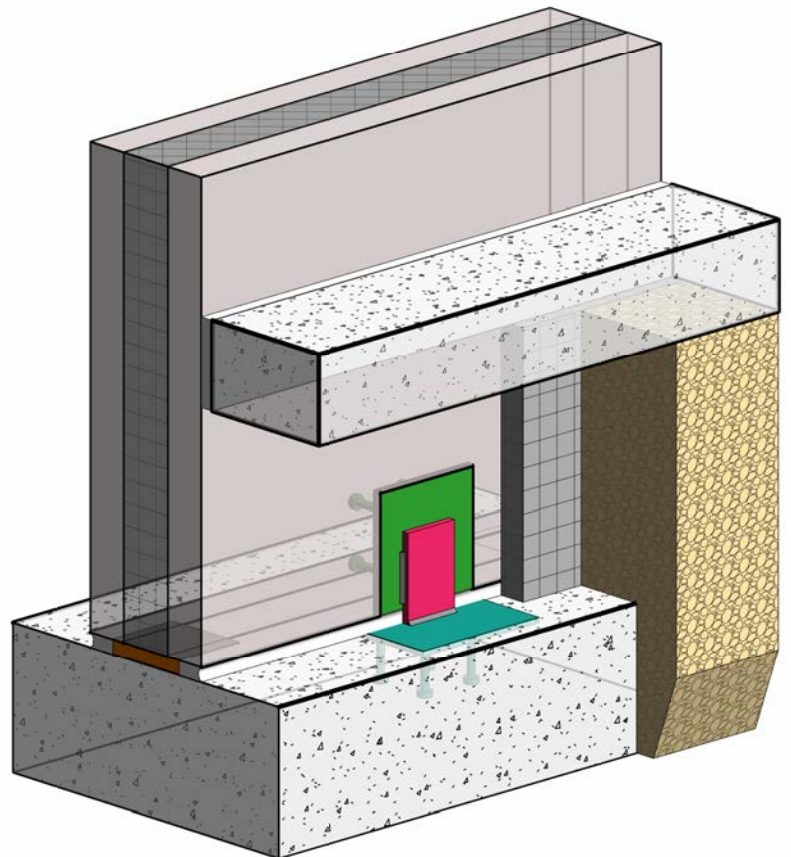
## INSULATED WALL PANEL DETAIL TABLE CONTENTS

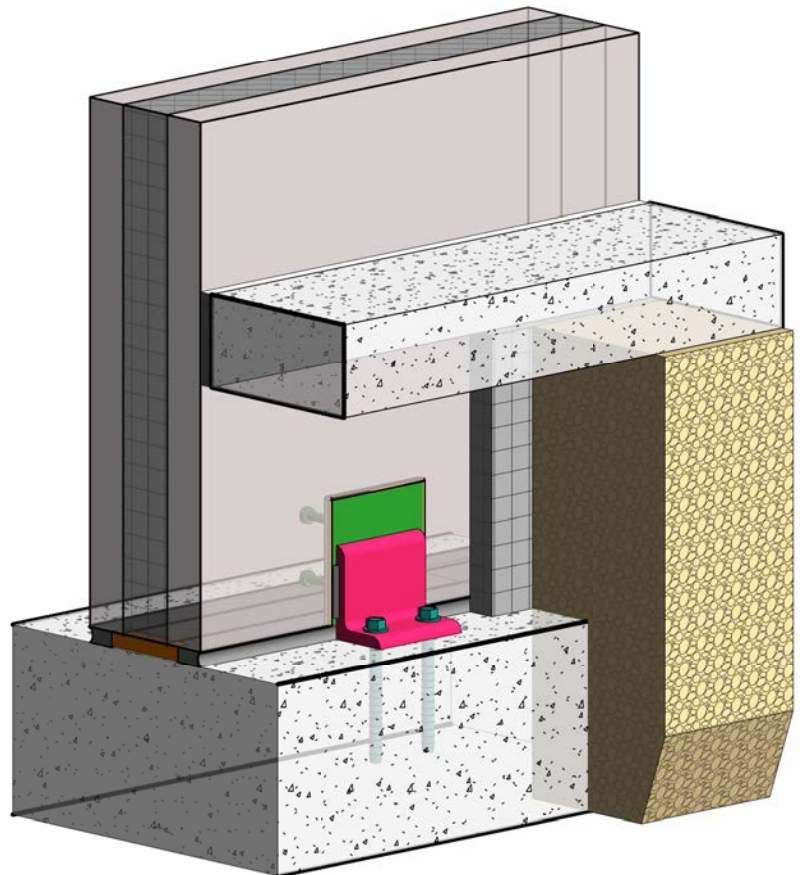
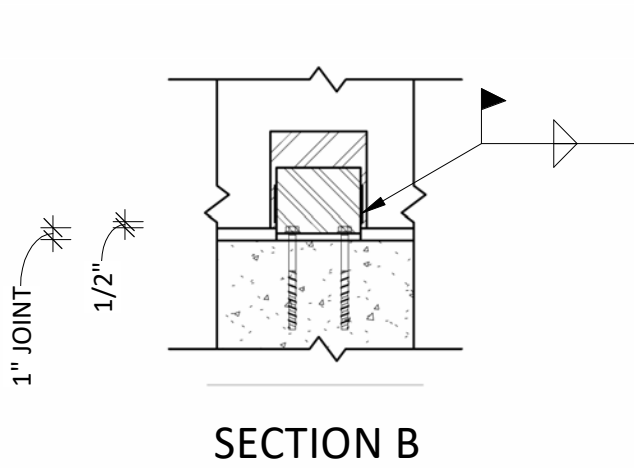
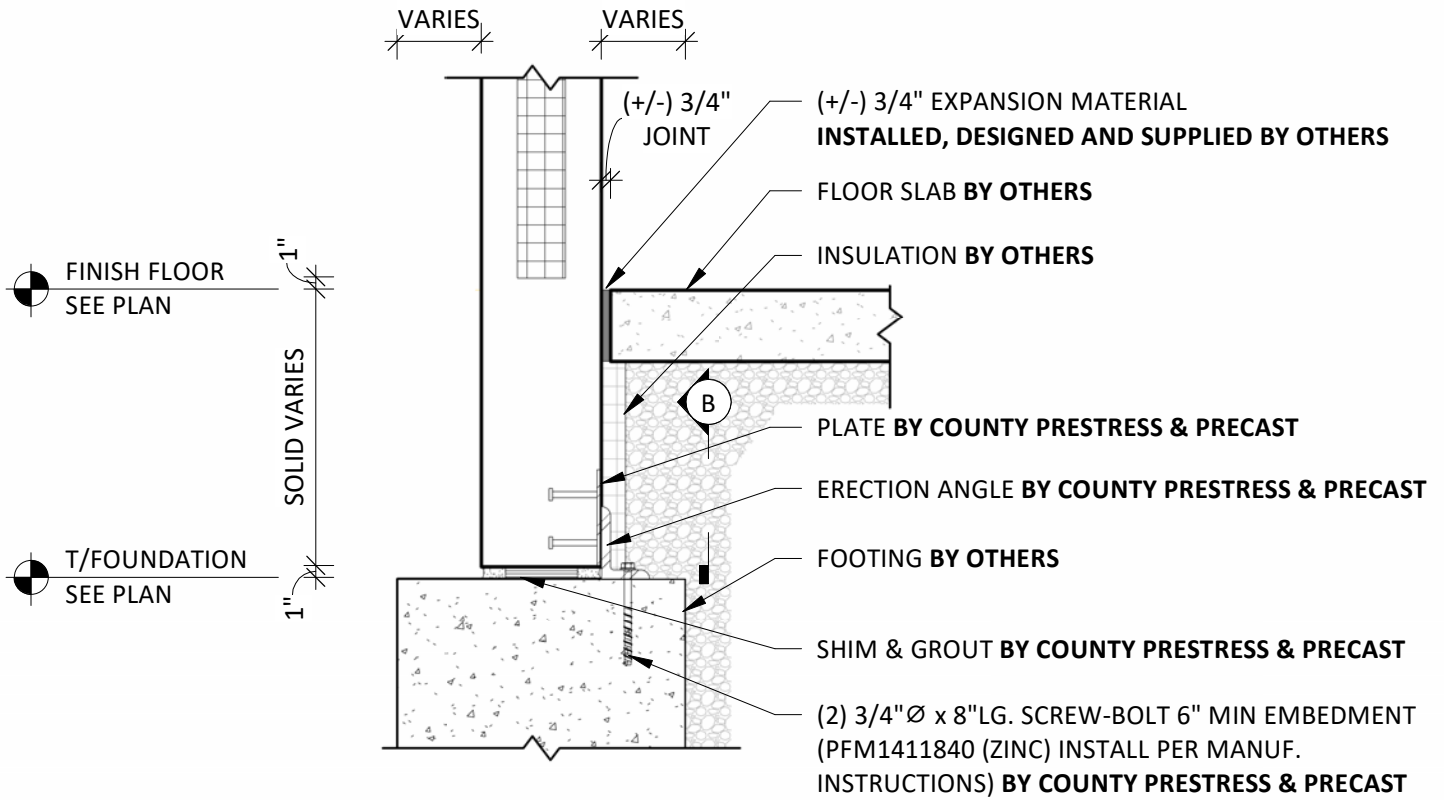
---

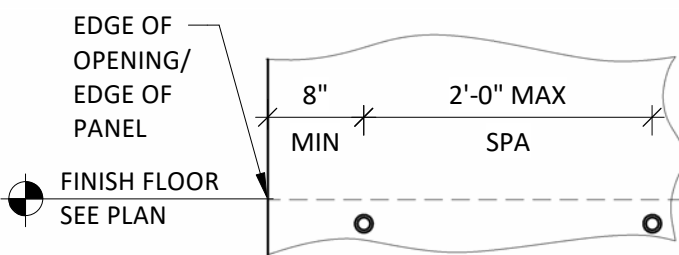
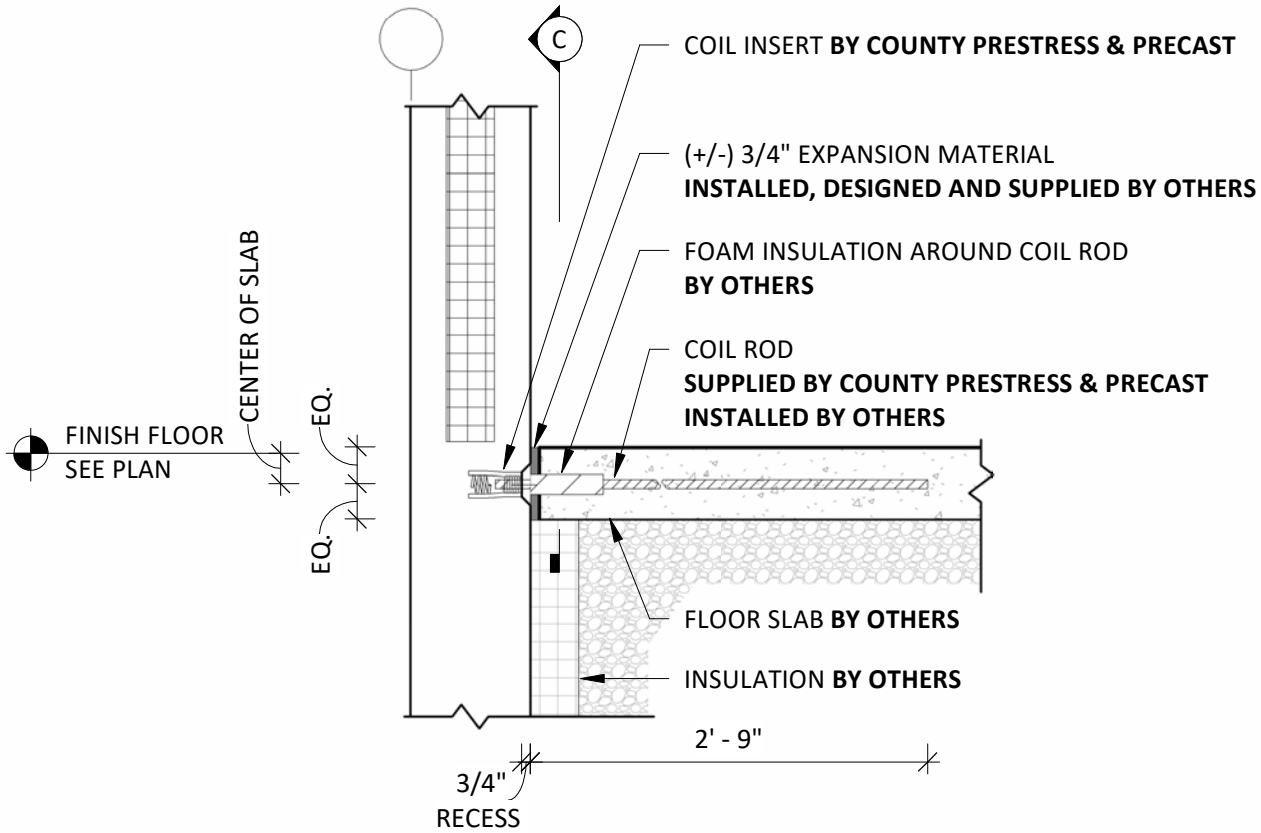
Typical Base Connection.....	D1
Screw Bolt Base Connection.....	D2
Floor Tie Detail.....	D3
Dock Section Detail.....	D4
Joist Bearing Detail.....	D5
Deck Bearing Detail.....	D6
Beam Pocket Detail.....	D7
Isometric View Detail.....	D8
Joist Girder Pocket.....	D9
Typical Reveal.....	D10
Expansion Detail.....	D11



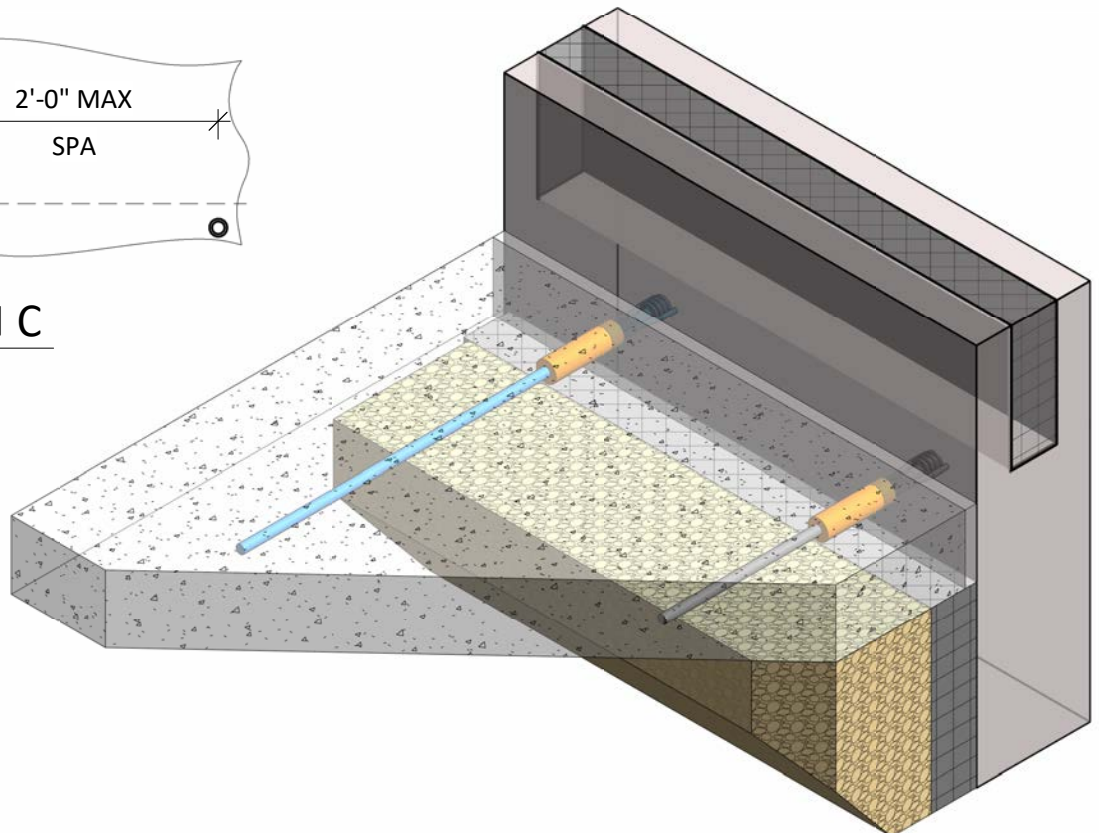
**SECTION A**

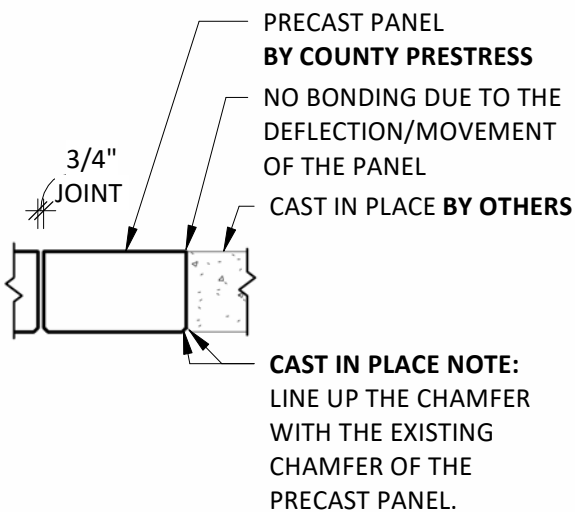
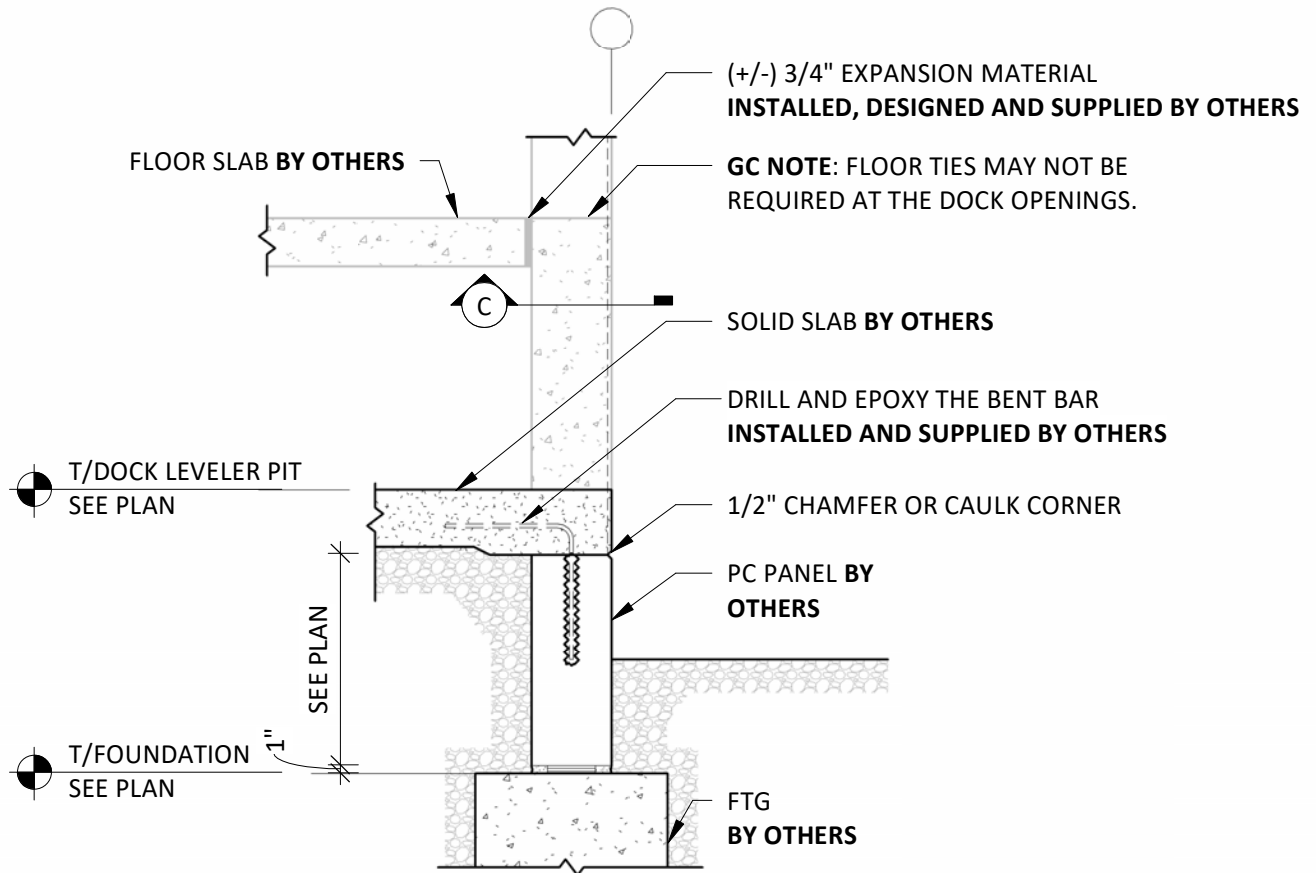






**SECTION C**





SECTION C

