

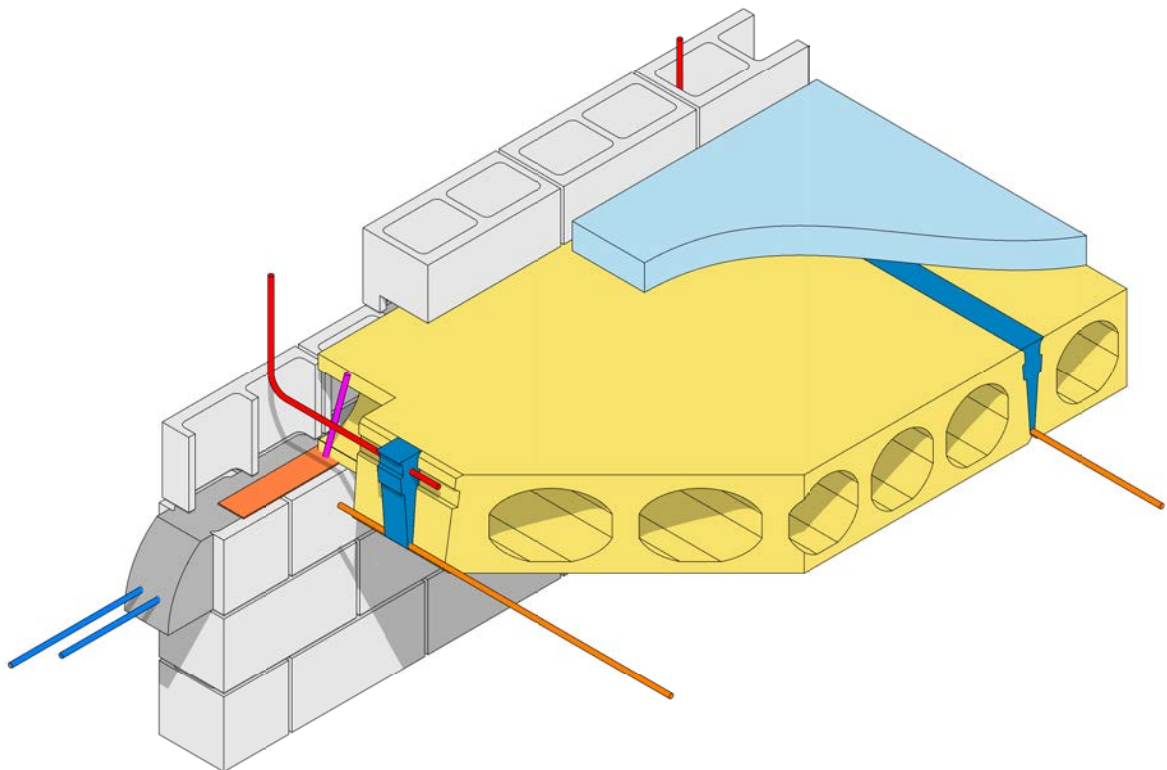
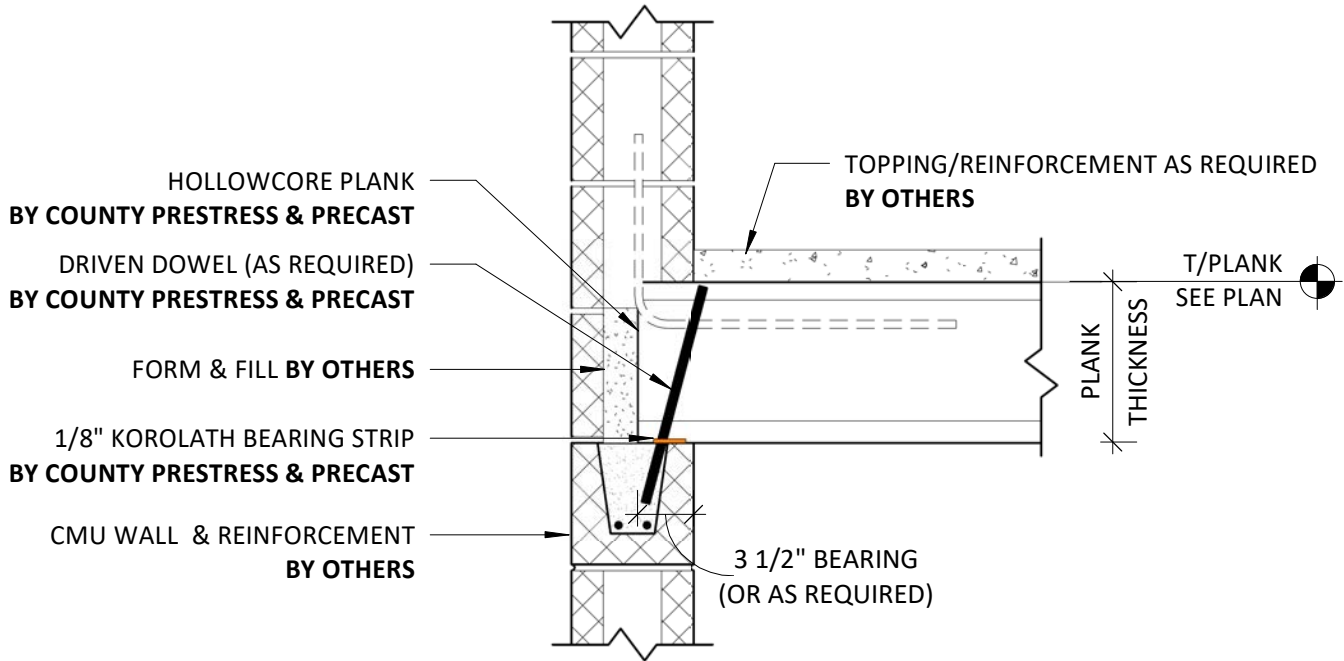
Podium Details

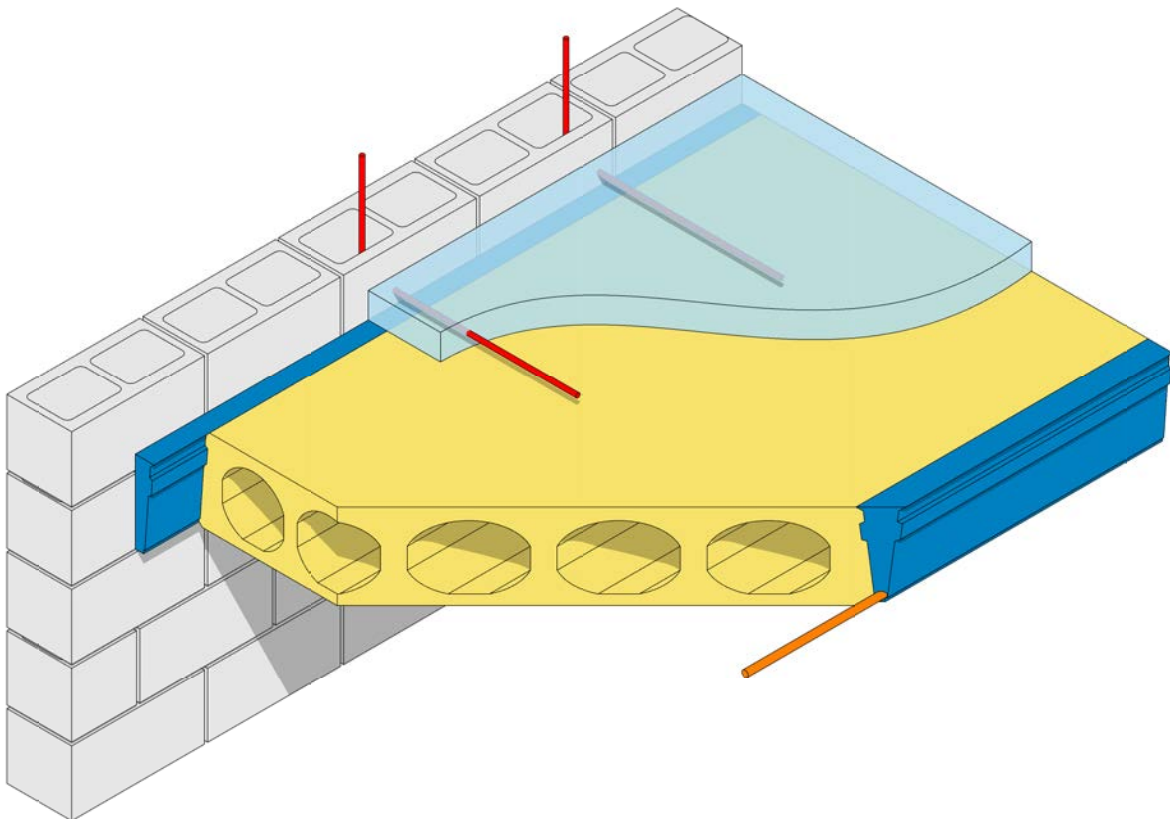
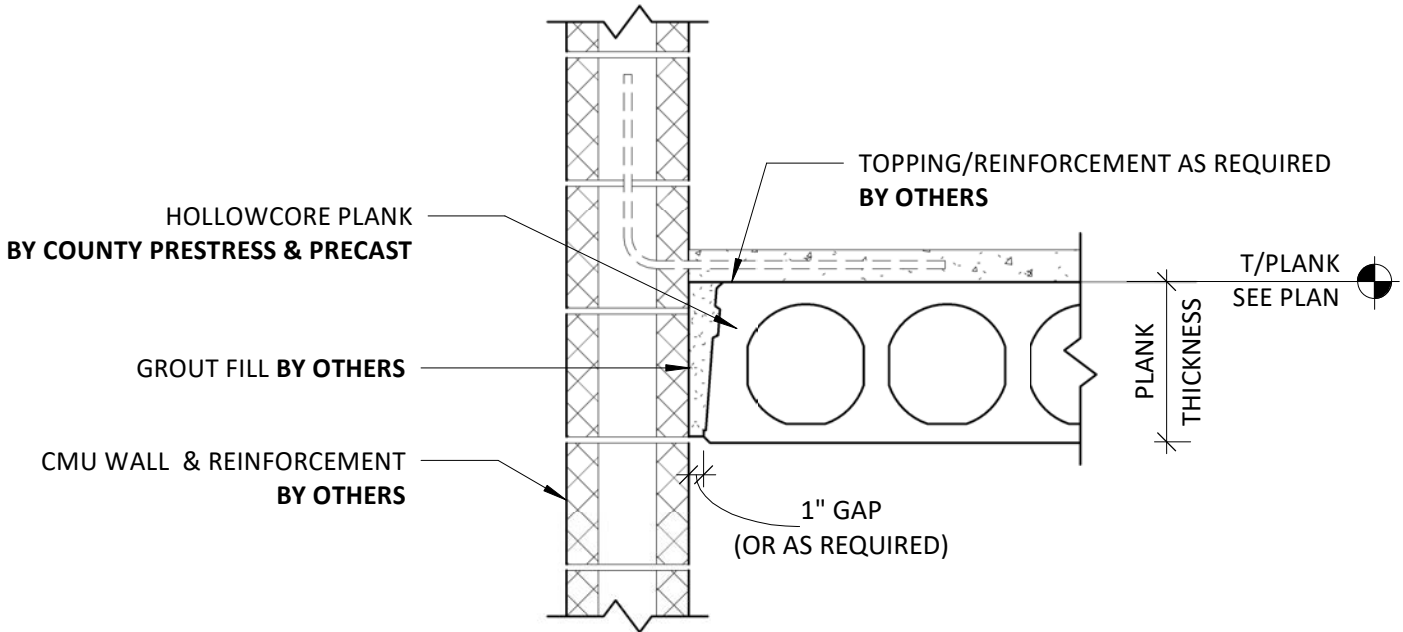


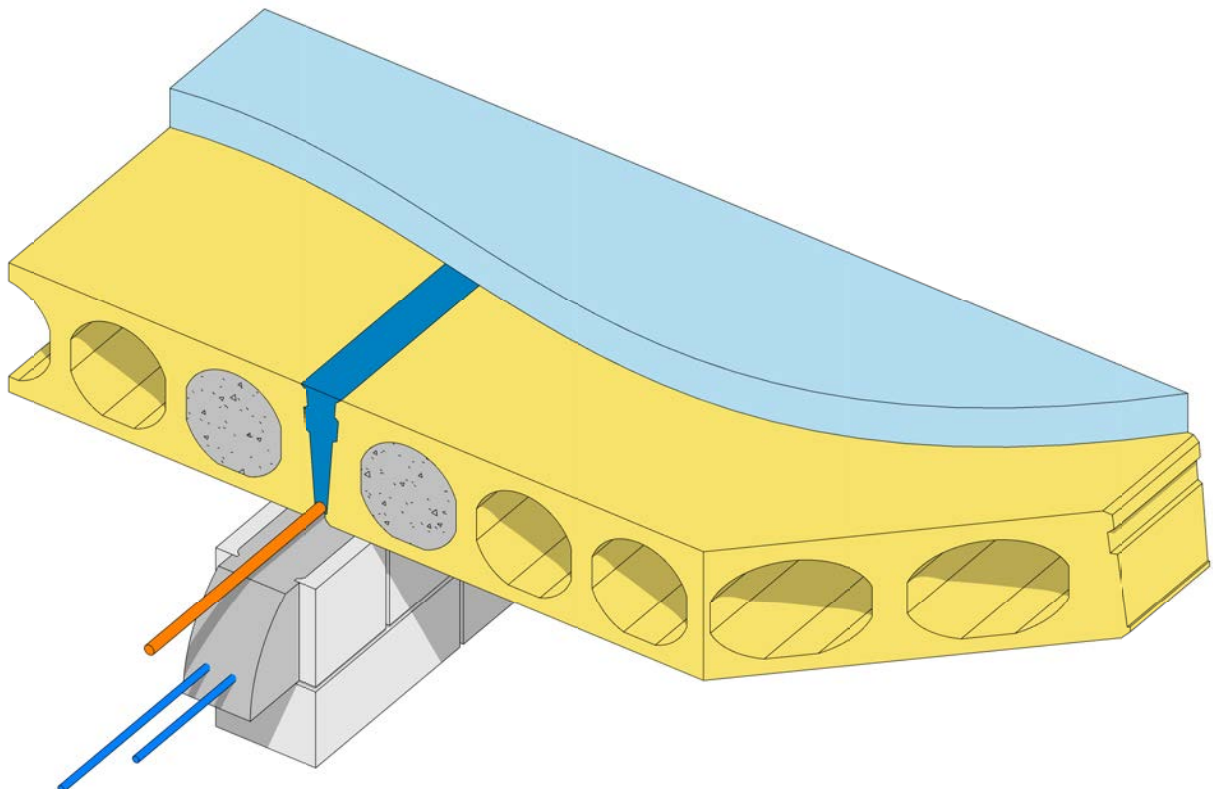
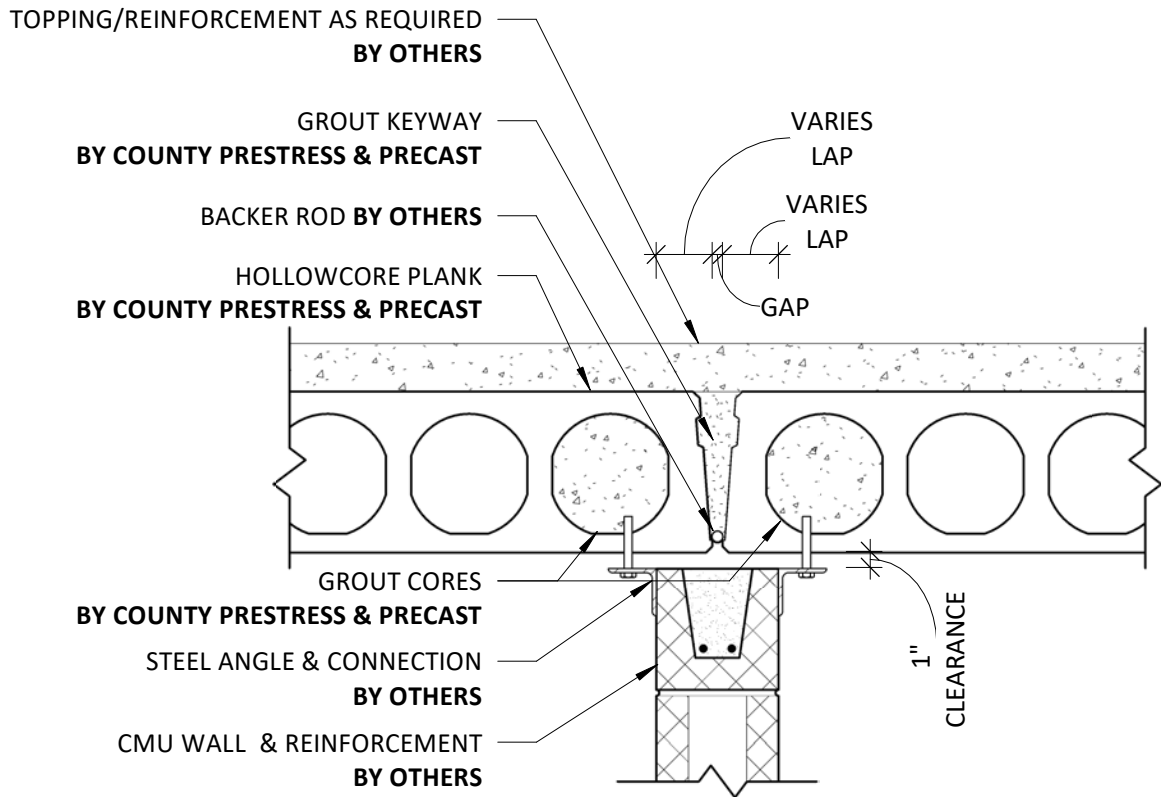
County Prestress and Precast, LLC
740 Pasquinelli Dr, Suite 100
Westmont IL 60559
countyprestress.com

PODIUM DETAILS TABLE OF CONTENT

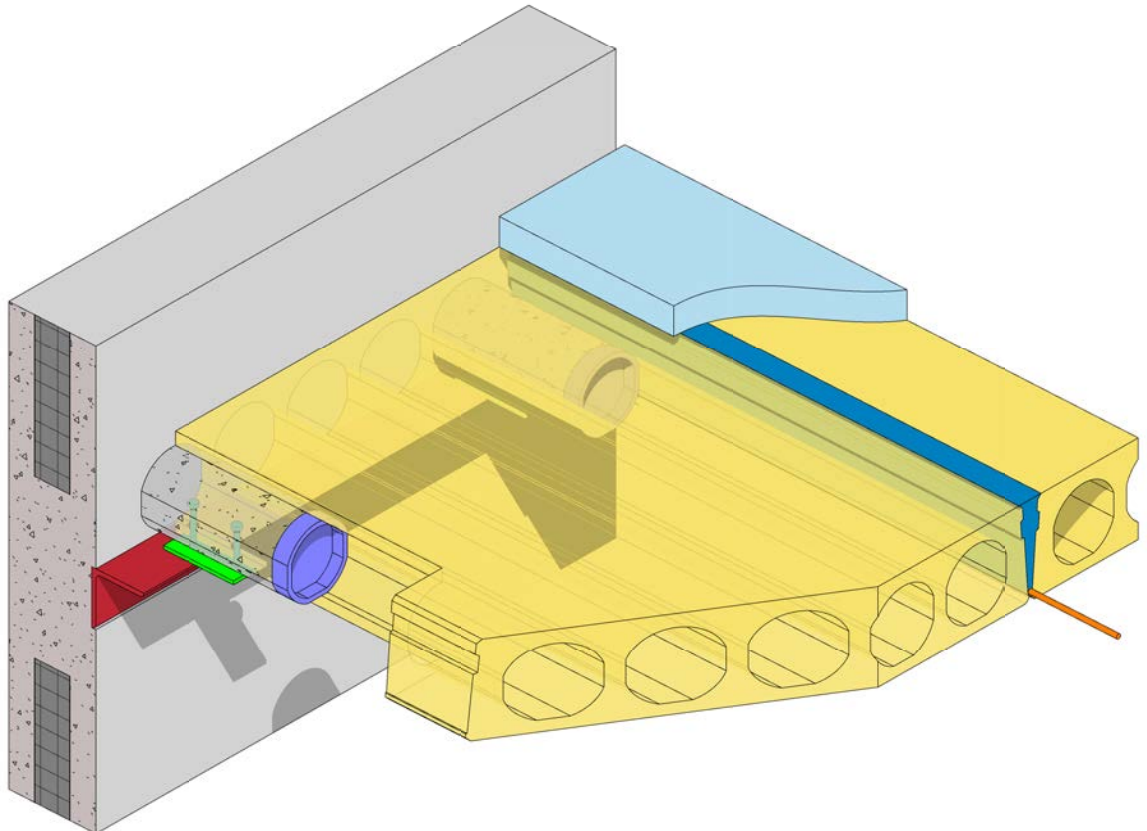
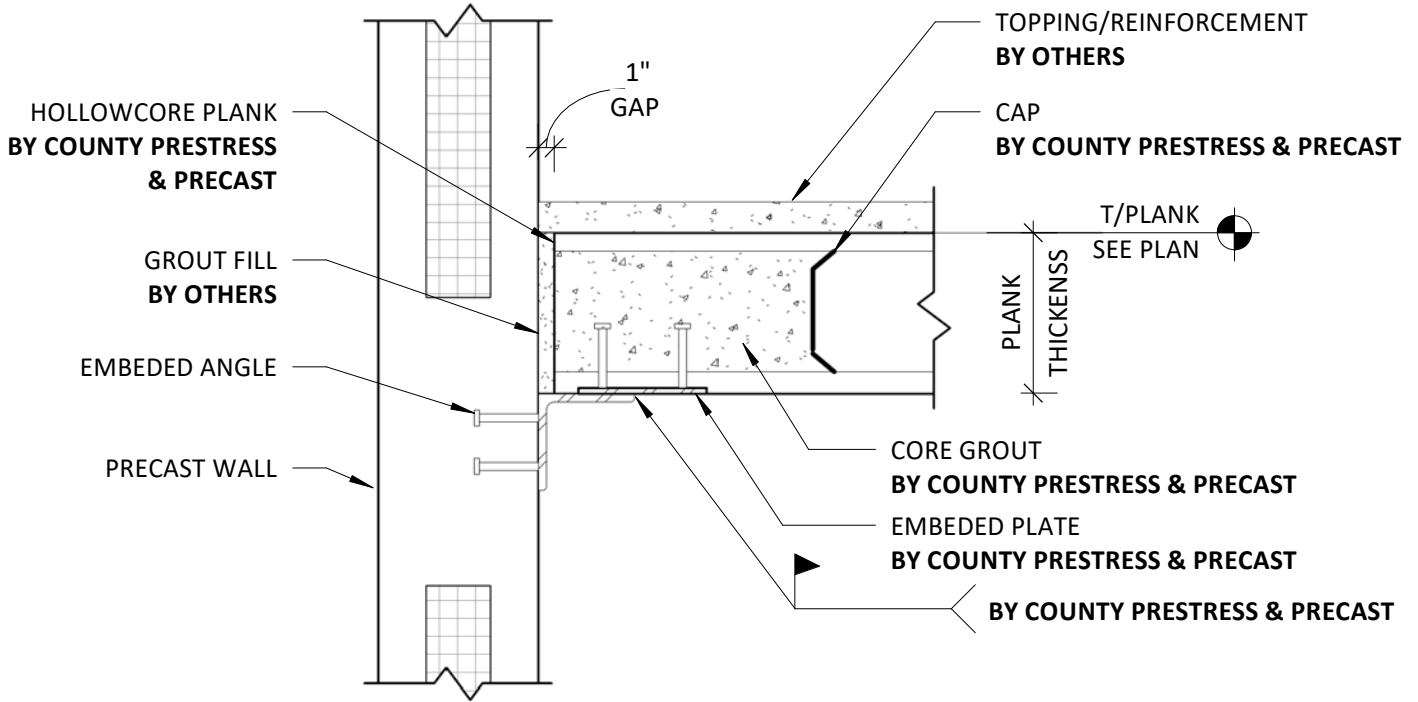
COVER SHEET.....	D1
TABLE OF CONTENTS.....	D2
HOLLOWCORE BEARING AT CMU WALL.....	D3
HOLLOWCORE LAP AT CMU WALL.....	D4
HOLLOWCORE LAP AT CMU WALL.....	D5
HOLLOWCORE BEARING AT PRECAST PANEL.....	D6
HOLLOWCORE LAP AT PRECAST WALL.....	D7
HOLLOWCORE LAP AT CAST-IN-PLACE WALL.....	D8
HOLLOWCORE BEARING AT PRECAST BEAM.....	D9
HOLLOWCORE BEARING AT STEEL BEAM.....	D10
PRECAST BEAM BEARING AT PRECAST COLUMN.....	D11
PRECAST COLUMN BASE CONNECTION.....	D12
PRECAST COLUMN CORBEL.....	D13
PRECAST BEAM BEARING TO COLUMN.....	D14
HOLLOWCORE LAP AT CAST-IN-PLACE WALL.....	D15
HOLLOWCORE BEARING AT CAST-IN-PLACE WALL.....	D16
HOLLOWCORE LAP AT CAST-IN-PLACE WALL.....	D17

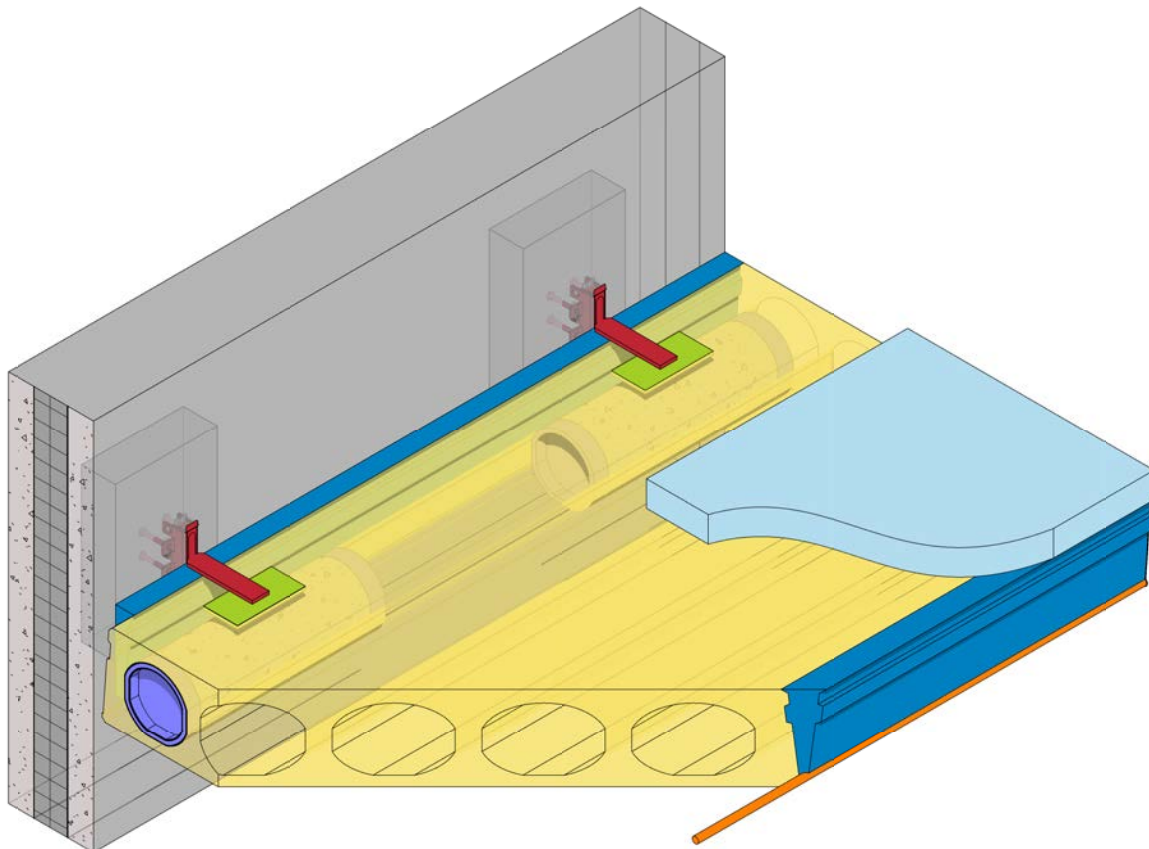
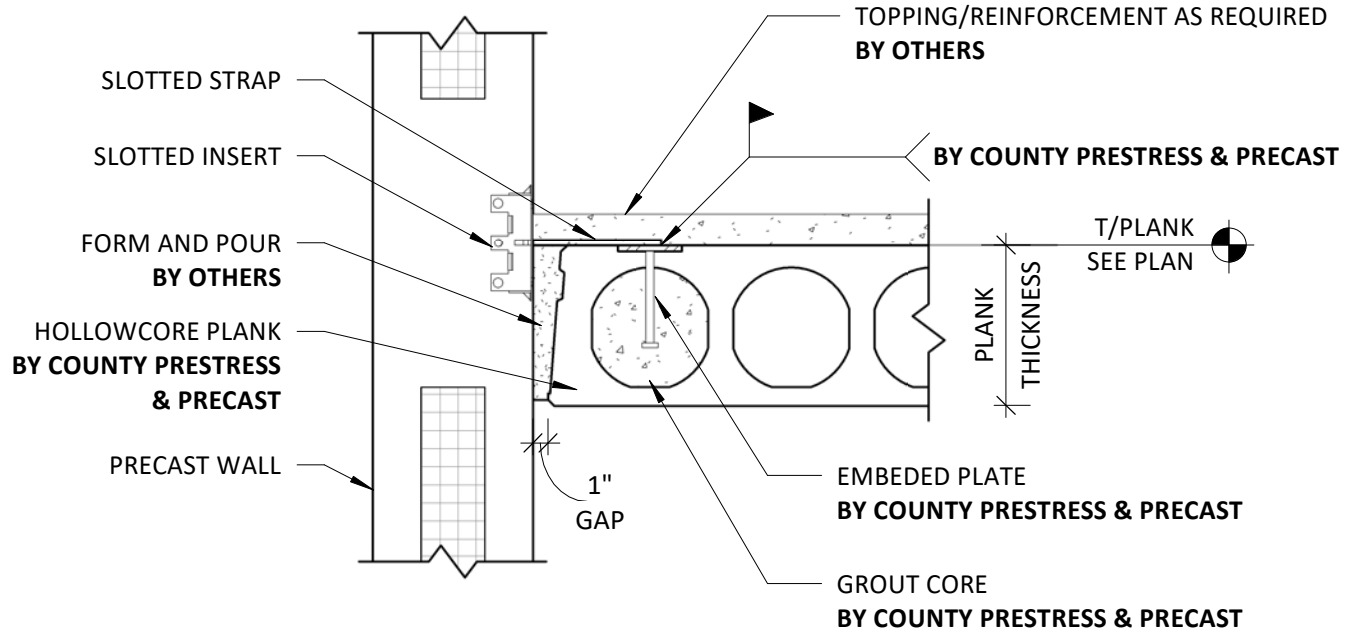


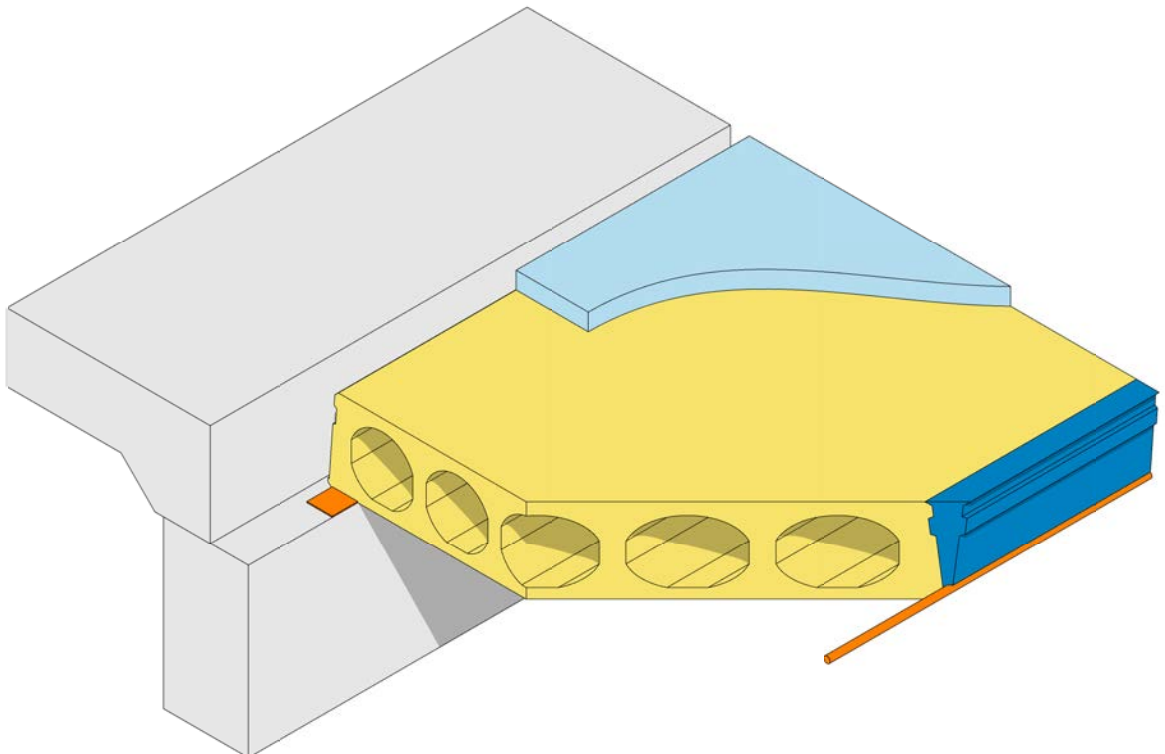
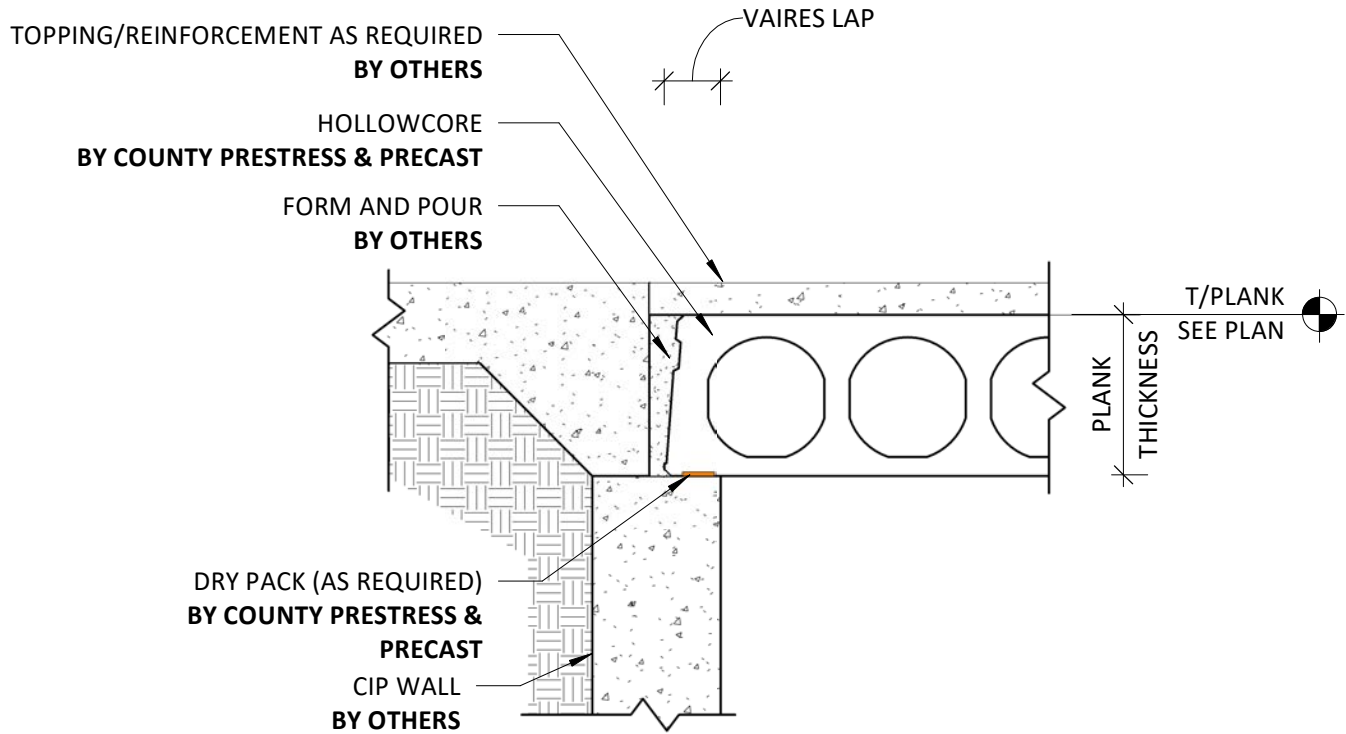




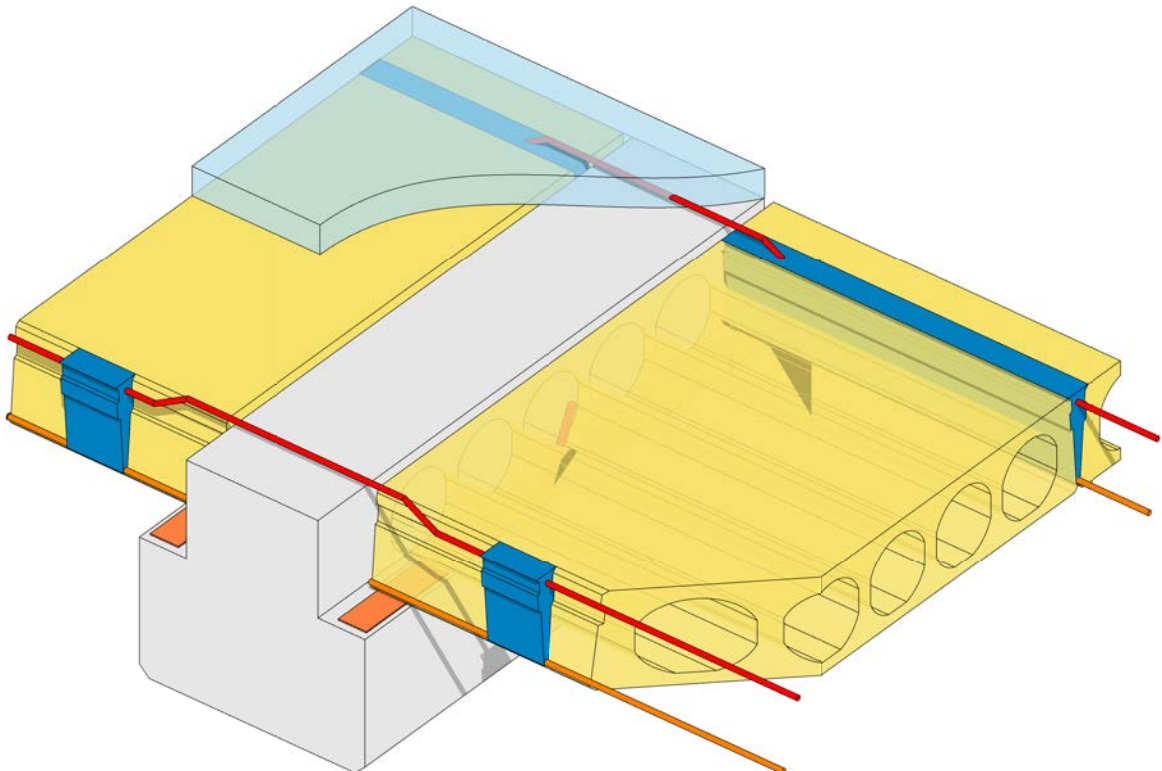
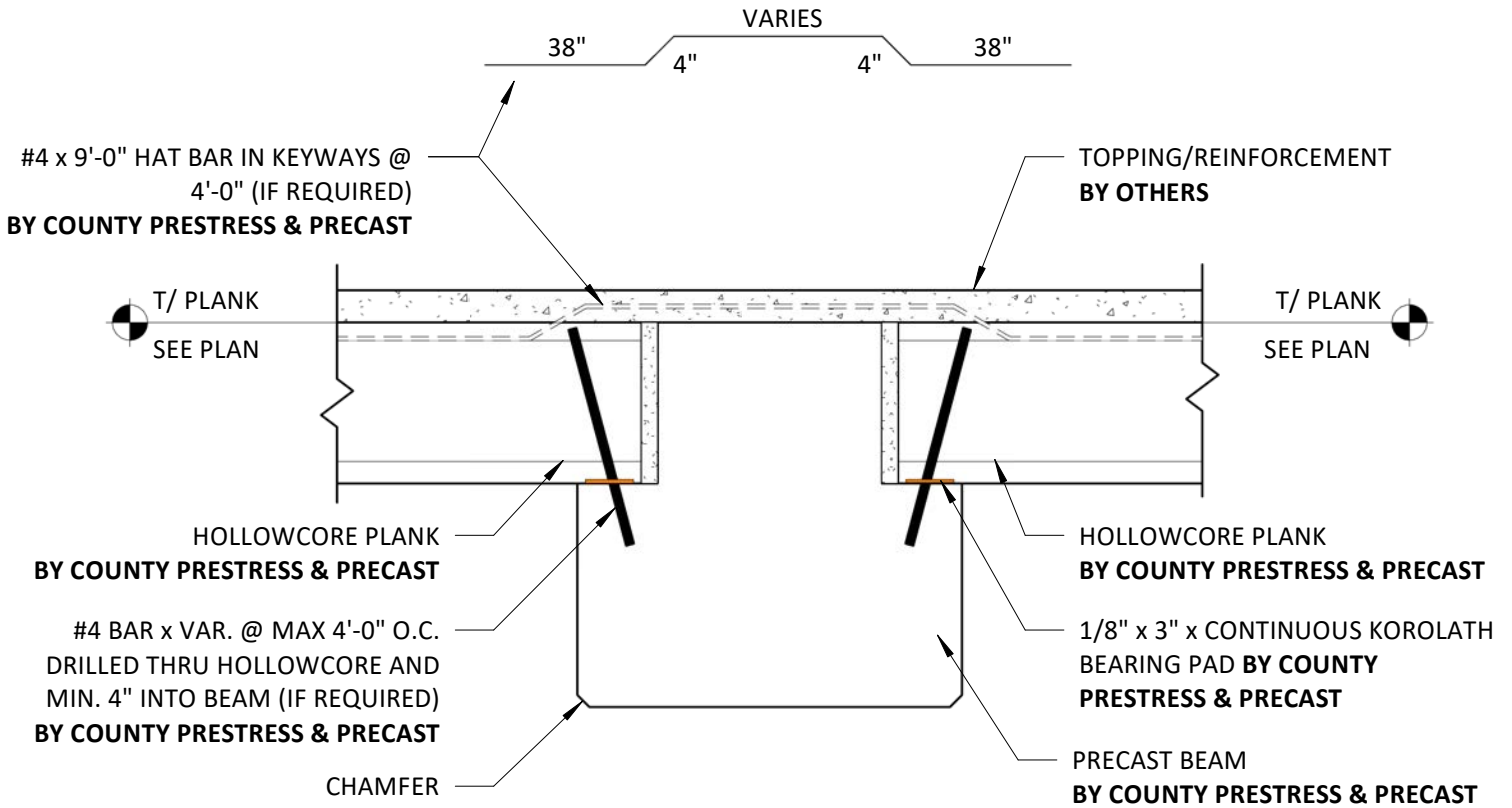
HOLLOWCORE BEARING AT PRECAST PANEL

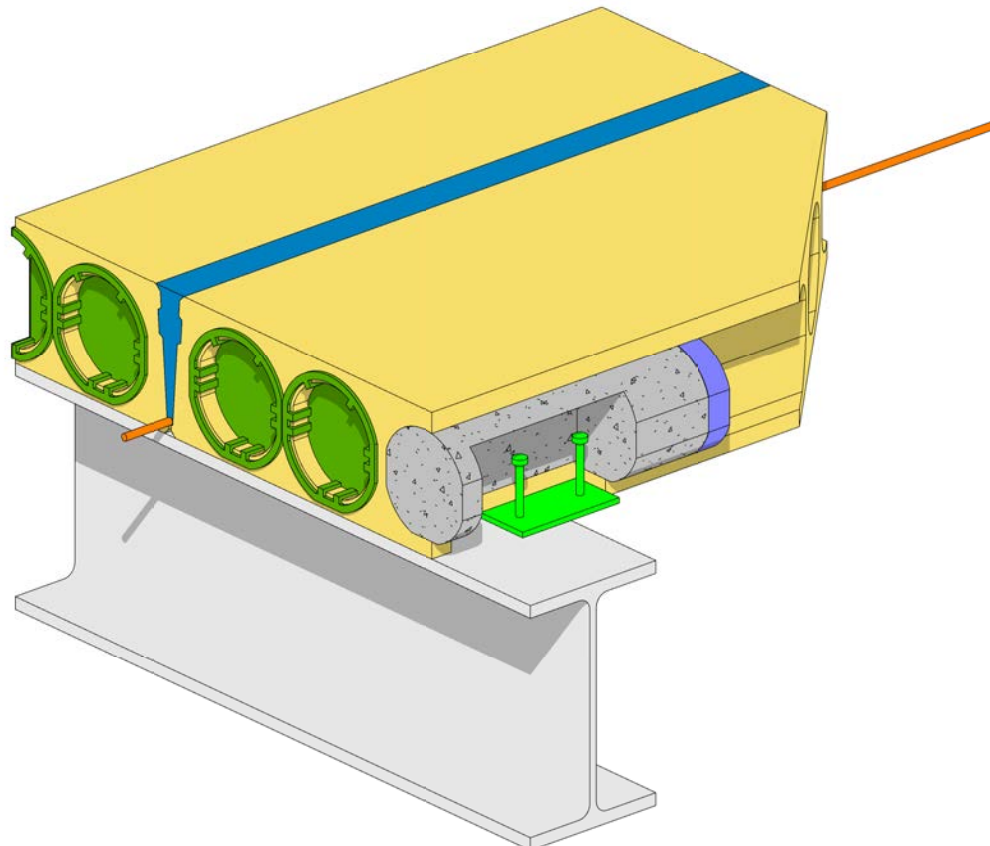
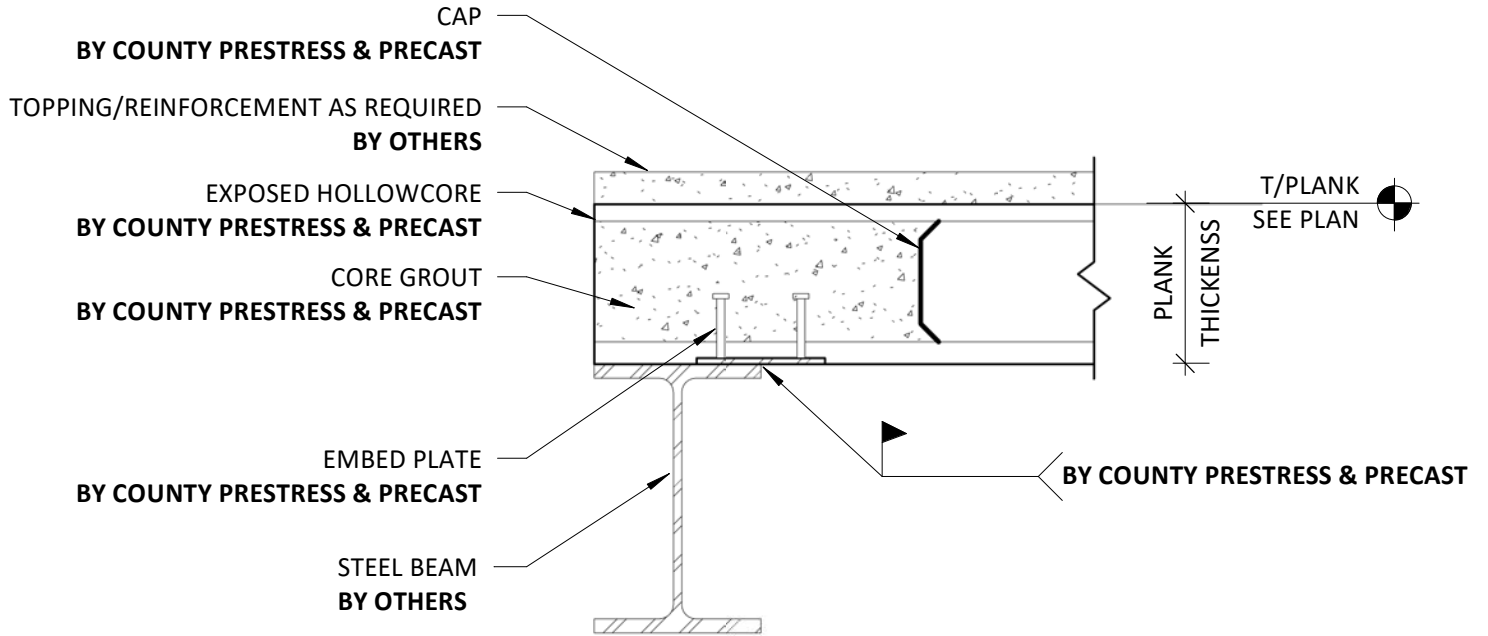




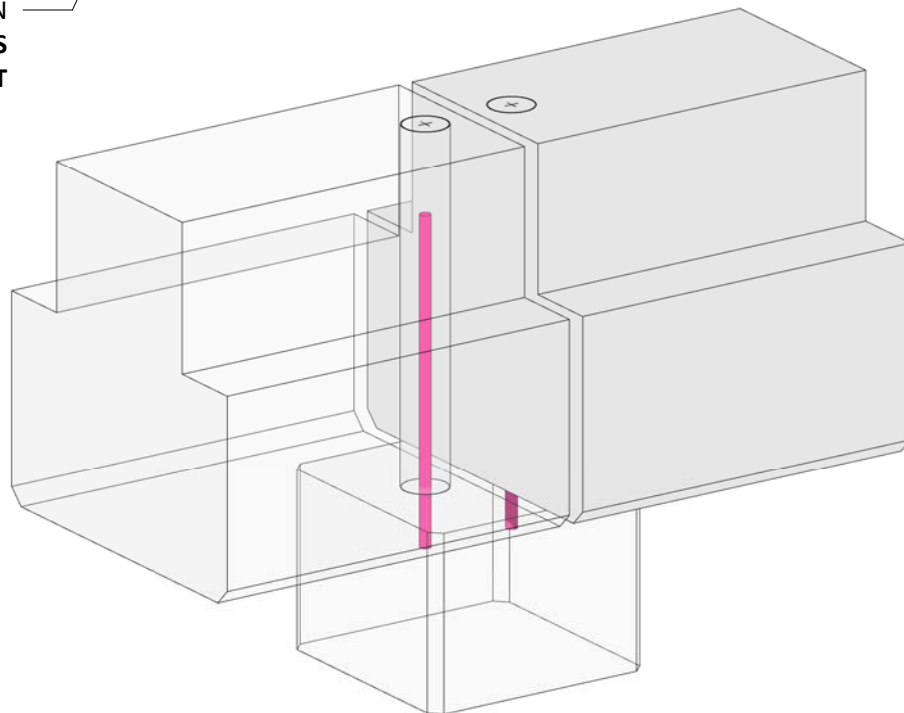
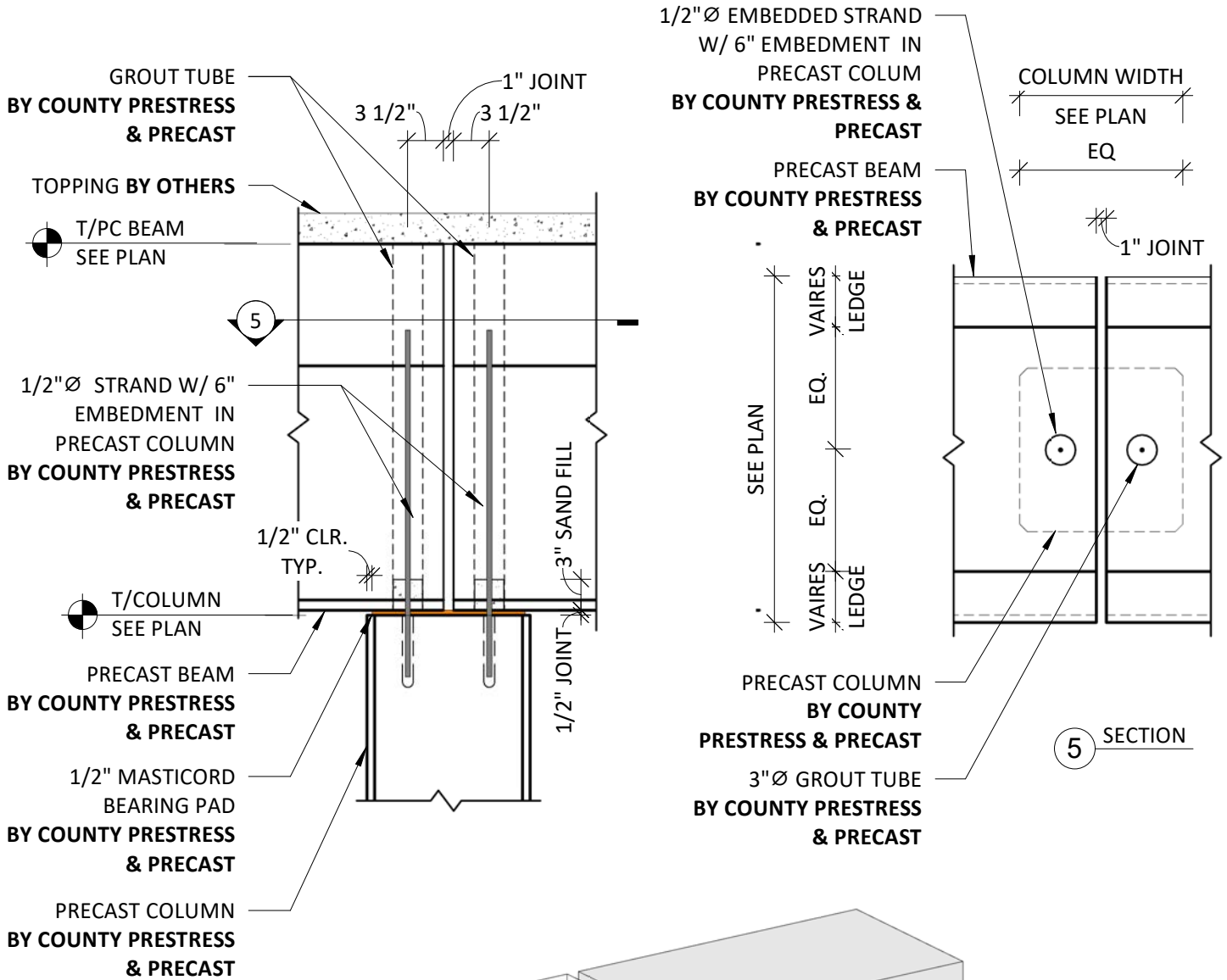


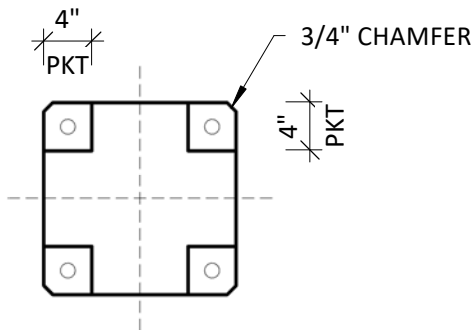
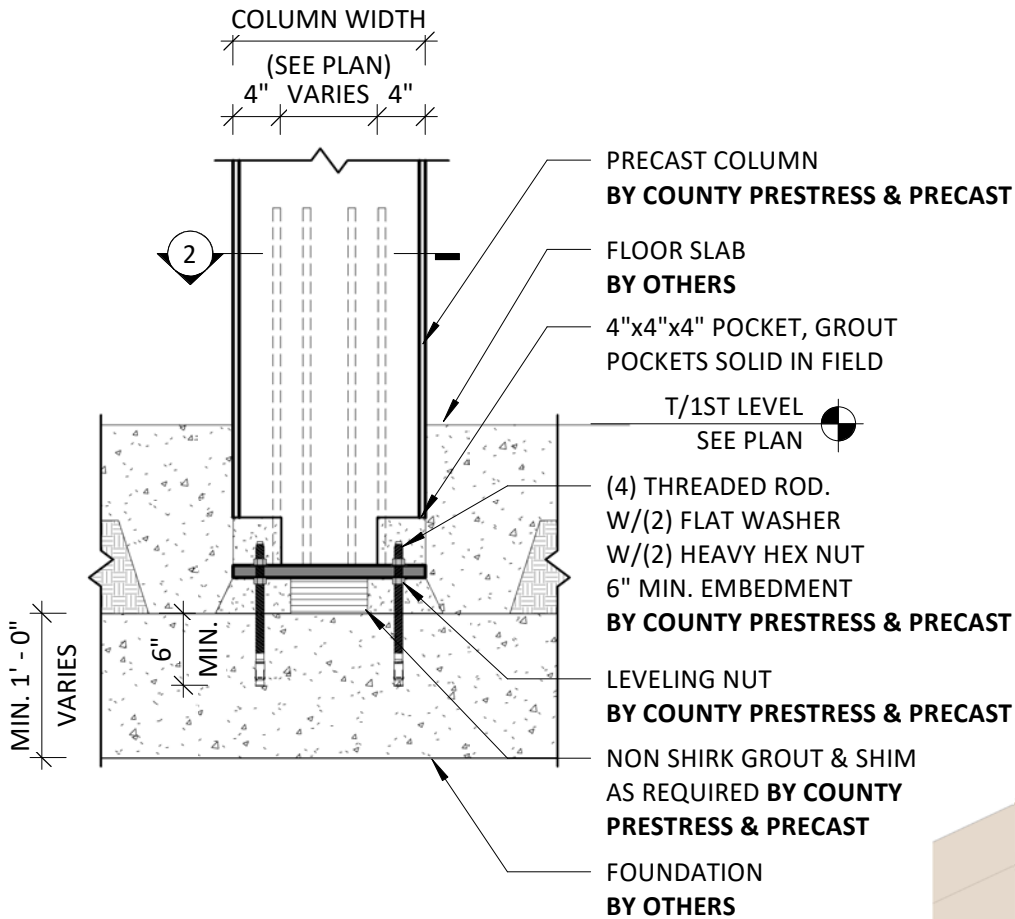
HOLLOWCORE BEARING AT PRECAST BEAM



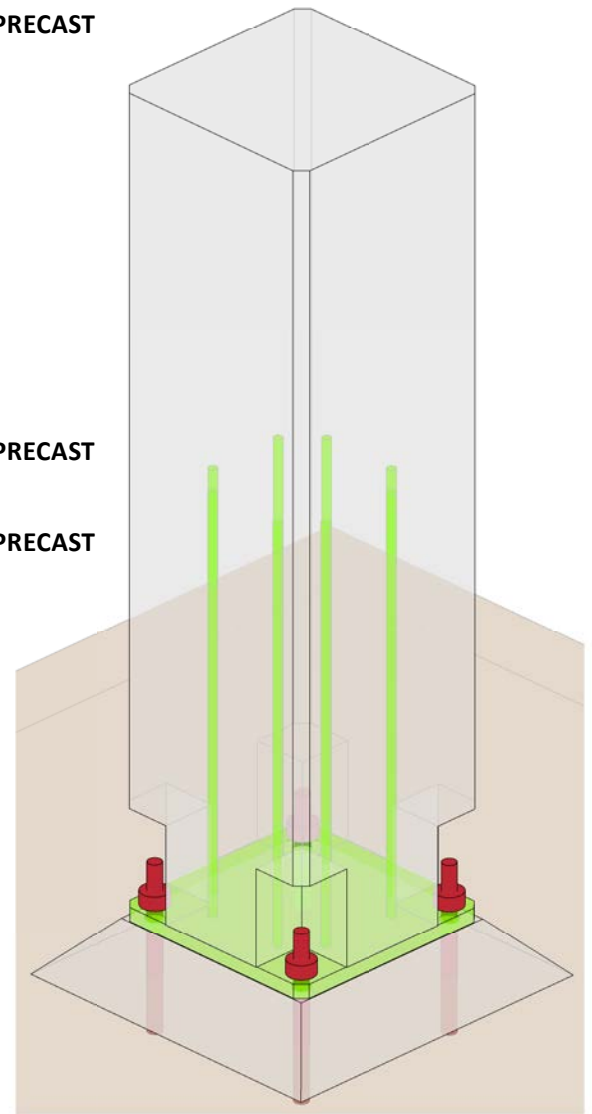


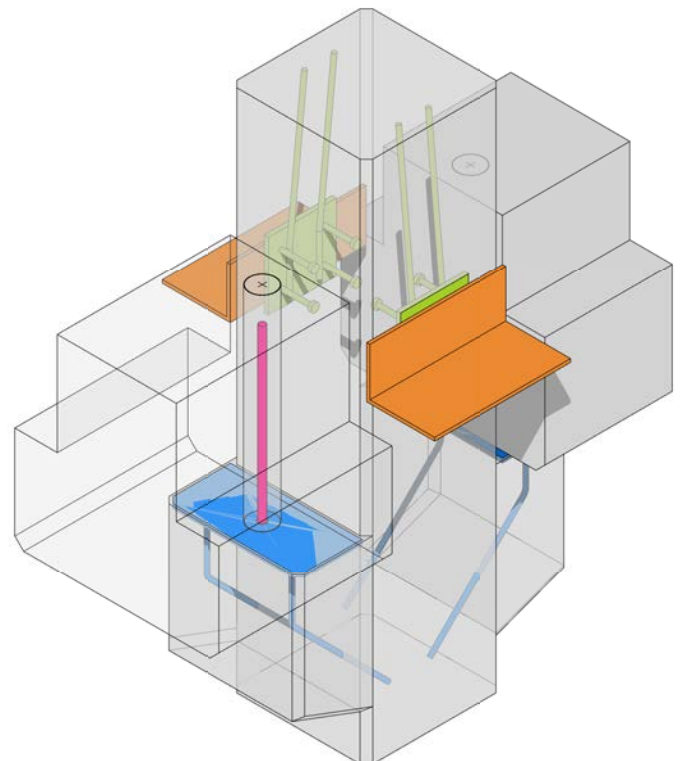
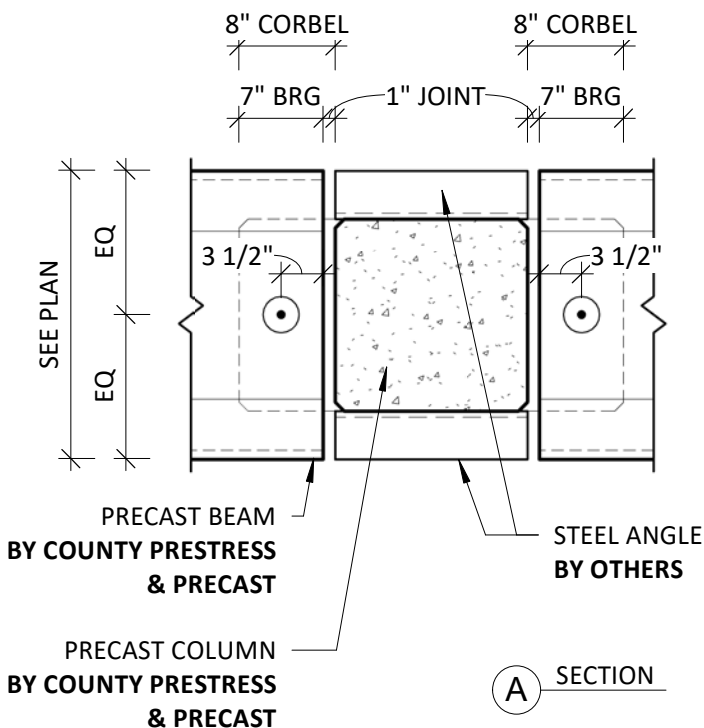
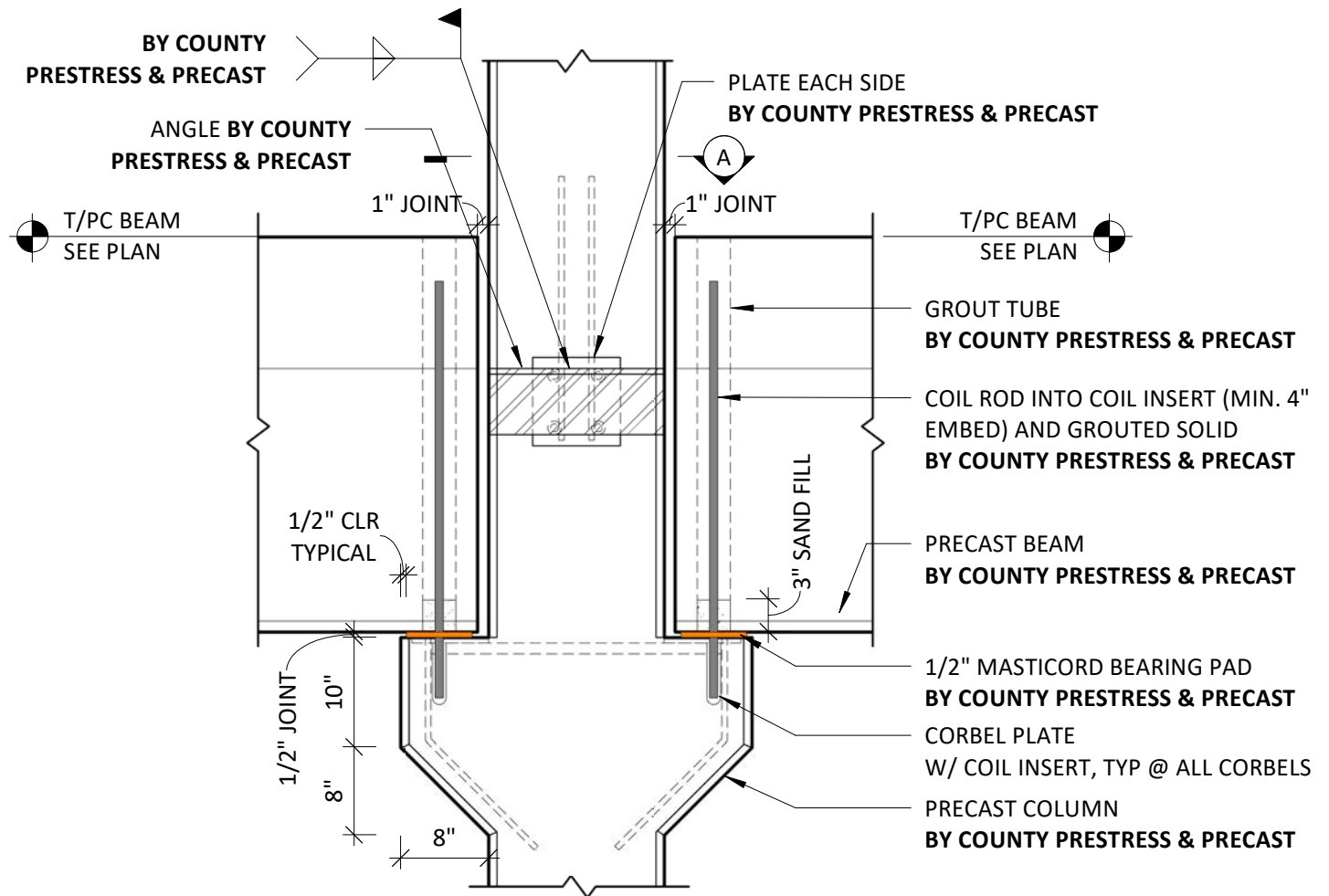
PRECAST BEAM BEARING AT PRECAST COLUMN

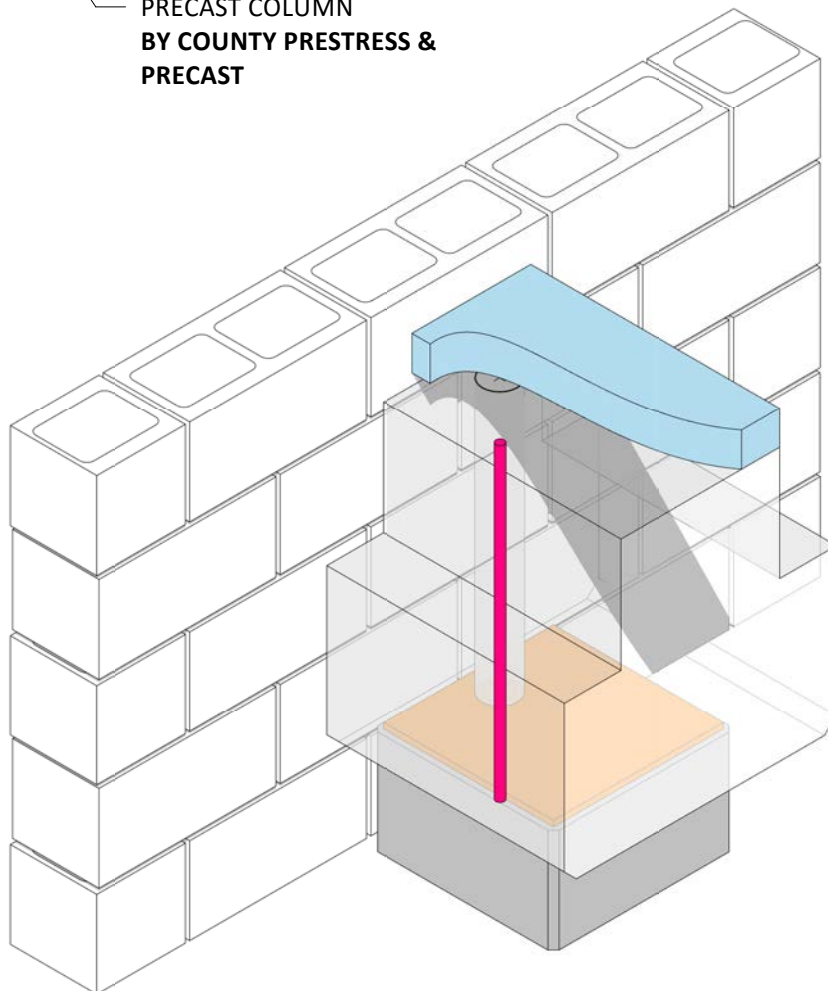
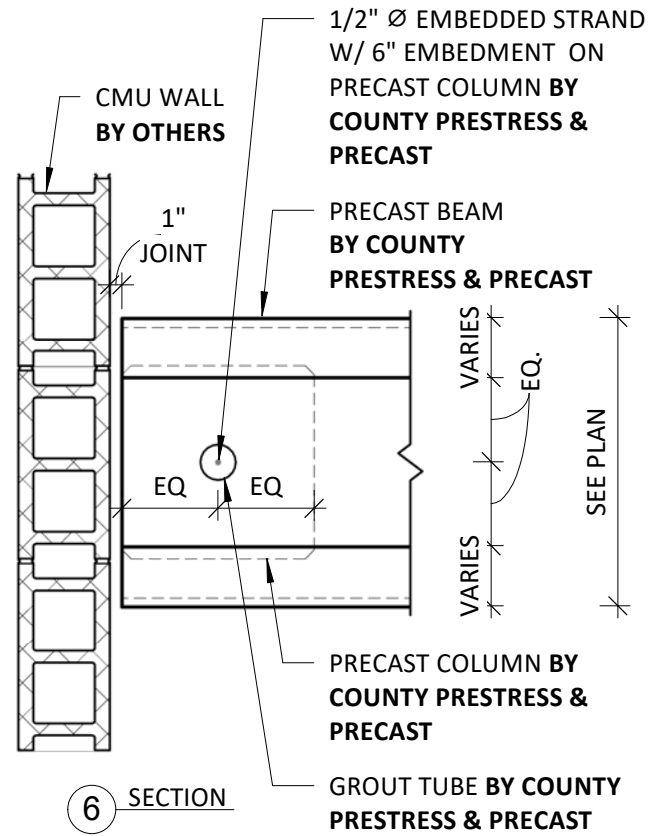
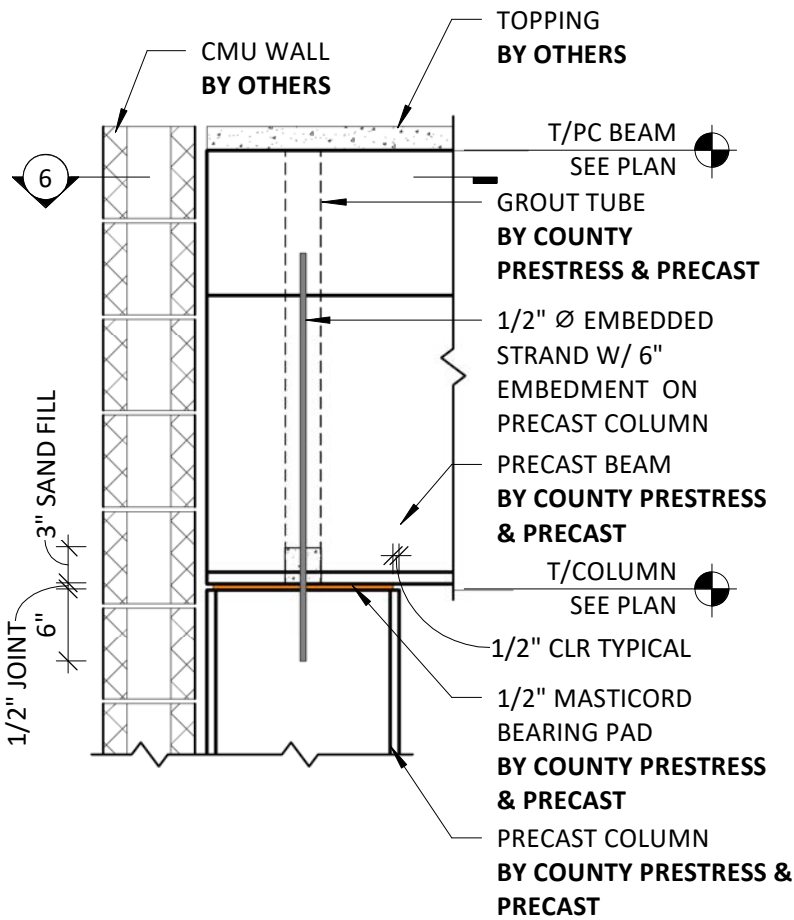


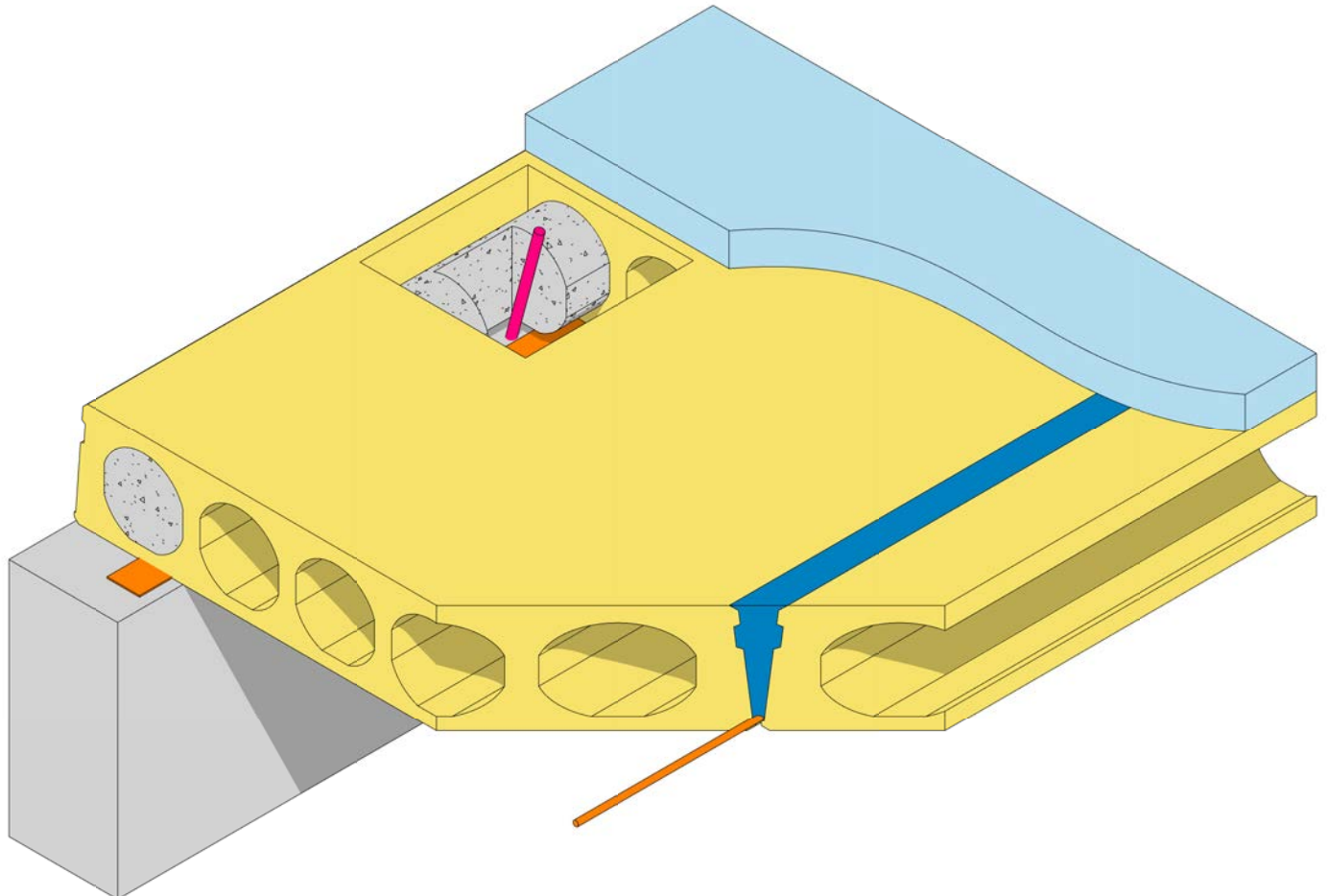
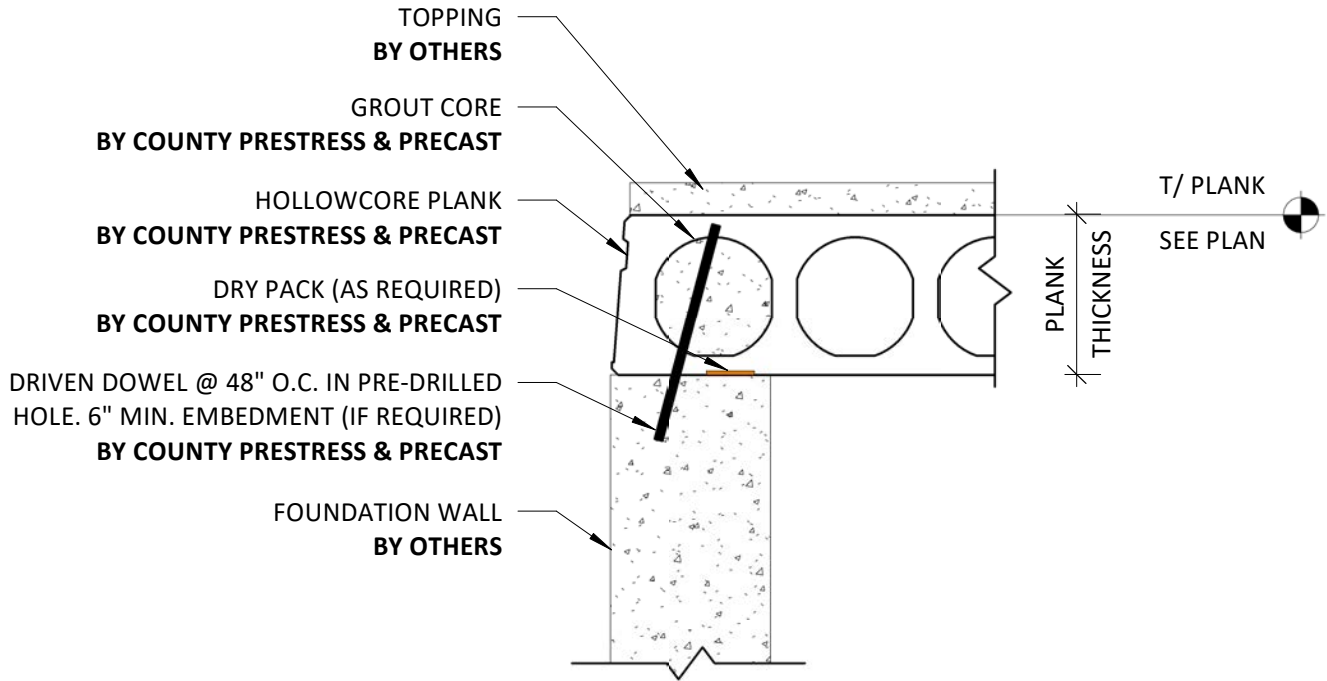


2 SECTION









HOLLOWCORE BEARING AT CAST-IN-PLACE WALL

